

SANTON

September 2015

Aquarius

Oversink & Undersink
Vented Water Heaters

Vented Water Heaters



Aquarius Vented Water Heaters

Sink and basin supply 10 litres and under

As small vented water heaters are typically installed directly over or under the sink, this range of products is commonly referred to as "Point of Use". The majority of units are installed directly over or adjacent to the point of application for light commercial duty such as washing cups and dishes. They can be supplied either directly from the mains or from an elevated cistern or feed tank (a minimum head pressure of 4 metres is required).

Aquarius Vented Oversink

An oversink unit is supplied with an inlet valve that, when opened, allows the mains cold water supply to enter the heater and displace the hot water stored in the cylinder. As the valve controls the displacement, the outlet is open to atmosphere so that when the unit heats up, the expanded water is allowed to drip from the spout into the basin. No other outlet should be used in conjunction with this type of product.

Aquarius oversink products are available in 7 and 10 litre capacities with options for 3 and 1.2kW element ratings. Typically, they are supplied from the water mains although supply from a cistern can be used as long as there is a minimum head pressure of 4 metres.

The 3kW element provides a fast recovery from cold whereas the 1.2kW version means that Aquarius can be fitted in situations where the power supply may be limited, such as portable or temporary buildings.



Aquarius Vented Undersink

These can also be fed from the mains but only if one of the self venting taps (see opposite) is used. As with the oversink model, the special tap acts as an inlet valve so that when the tap is turned on, the cold supply is allowed to flow through the water heater, displacing the hot water into the basin. The outlet part of the tap is always open to atmosphere allowing the expanded water to drip from the tap into the basin during the heat up cycle.

Undersink models can also be connected to a cold water cistern or feed tank as long as the vented tap is used or a vent pipe is plumbed from the hot pipework to discharge the expansion back into the cistern. In such cases, the base of the cistern must be no higher than 10 metres above the top of the water heater and a vent pipe must be used.

Undersink vented water heaters are only able to supply one basin when used with vented taps. Aquarius undersink products are available in 7 and 10 litre capacities with options for 3 and 1.2kW element ratings.

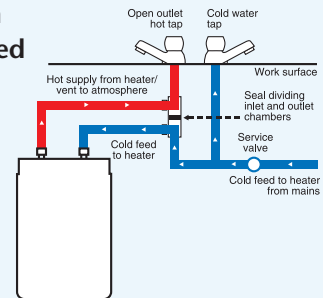
The 3kW element provides a fast recovery from cold whereas the 1.2kW version means that Aquarius can be fitted in situations where the power supply may be limited, such as portable or temporary buildings.

Vented Taps

The Santon range of taps has been chosen to complement the Aquarius range of water heaters. It consists of vented hot taps and matching cold taps for use with vented undersink water heaters, as well as standard taps which can be used with any other Santon storage unit.

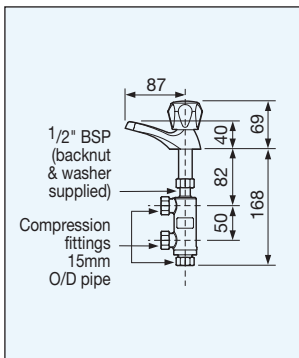
The taps are robust and made in traditional cast brass with a chrome finish.

A typical installation of an Aquarius Vented Undersink heater using a vented tap.



Vented Basin Hot Tap

Ref. TXH01:
Order Code 94 970 014

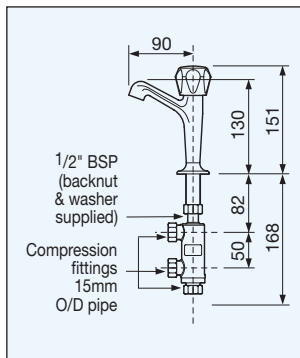


This tap is constructed to control the flow of incoming mains water supply to an open outlet type electric water heater. This displaces the heated water in an unrestricted flow through the tap's permanently open outlet. This vented hot tap is for full bore plumbing.

Above the basin it is identical to the universal taps, so a matching cold tap is available if required.

Vented Pillar Hot Tap

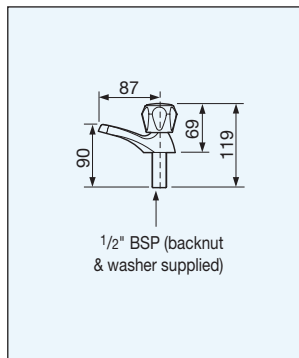
Ref. TXH02:
Order Code 94 970 015



This is a pillar (or high neck) tap version of model TXH01.

Universal Basin Tap

Ref. TXU01:
Order Code 94 970 017

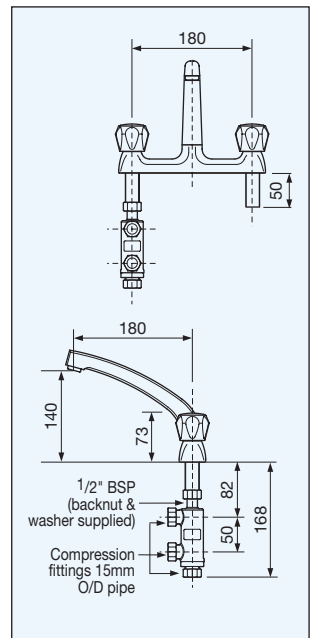


These taps are packed individually with both a red and blue bezel and are normally used in cold tap form to match the TXH01.

Ref. TXU02:
Order Code 94 970 018
This is a pillar (or high neck) tap version of model TXU01 to match TXH02.

Vented Mixer Tap

Ref. TXM01:
Order Code 94 970 016

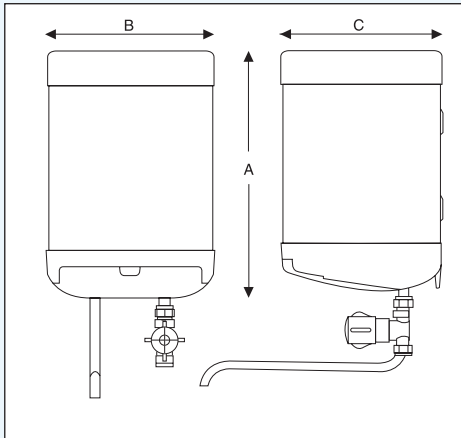


This is similar in operation to the vented hot tap but has the additional advantages of mixing the heated and cold water at the outlet and is ideally suited to kitchen use.

Aquarius

Technical Specification

Aquarius Vented Oversink



Dimensions

Model	A (mm)	B (mm)	C (mm)	Weight (kg)	
				Empty	Full
A7/3	356	240	240	4.9	11.9
A7/1	356	240	240	5.9	15.9
A10/3	442	240	240	5.9	15.9

Model References / Capacities and Loadings

Ordering Guide

Model	Product Code	Litres	ErP rating	Rating
A7/3	94 010 001	7	C	3.0kW @240V (2.75kW @ 230V) single phase AC
A7/1	94 010 002	7	C	1.2kW @240V (1.17kW @ 230V) single phase AC
A10/3	94 010 003	10	C	3.0kW @240V (2.75kW @ 230V) single phase AC

Element

Copper sheathed element, incorporated into an easily removable heater plate, should replacement be necessary.

Inner container

Pressure tested to 1.38 bar (20 psi). A minimum head pressure of 3 metres is required.

Outer casing

The main body is substantial gauge sheet steel, anti-corrosion treated and finished in white stoved enamel. End covers are moulded in grey ABS. The back has three fixing points for wall mounting.

Insulation

CFC/HCFC-free (ODP zero) polyurethane foam.

Thermostat

Capillary type, adjustable from 10°C to 70°C.

Safety cut-out

Models are available with a thermal fuse cut-out fitted in series with the adjustable thermostat.

Swivel Outlet

Stainless steel tube 300mm, with 15mm 'push-fit' connection. No other pipework or spout or tap should be connected to the outlet.

Inlet

An inlet valve is supplied with 15mm compression connections.

Electrical

The installation must comply with BS 7671 'Requirements for electrical installations' (IEE Wiring Regulations). It must be fully earthed and permanently connected to the electrical supply through a double pole linked isolating switch with minimum breaking capacity suitable for the loading.

Approvals

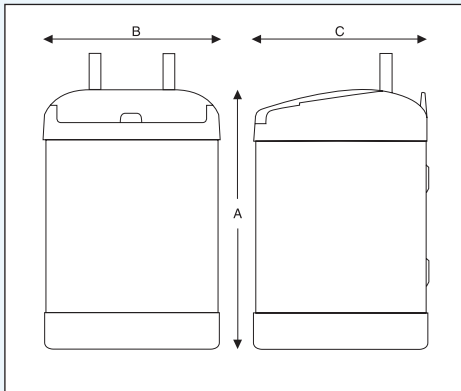
Kiwa approved. CE marked. Manufactured in the UK in a BS EN ISO 9001:2008, ISO 14001:2004, BS OHSAS 18001:2007 and ISO 50001:2011 registered factory.

Warranty

2 years product warranty, from date of purchase, with on-site service support. Full details are contained in the Installation Instructions supplied with each unit.



Aquarius Vented Undersink



Dimensions

Model	A (mm)	B (mm)	C (mm)	Weight (kg)	
				Empty	Full
AU7/3	356	240	240	4.9	11.9
AU7/1	356	240	240	5.9	15.9
AU10/3	442	240	240	5.9	15.9

Model References / Capacities and Loadings

Ordering Guide

Model	Product Code	Litres	ErP rating	Rating
AU7/3	94 010 008	7	C	3.0kW @240V (2.75kW @ 230V) single phase AC
AU7/1	94 010 009	7	C	1.2kW @240V (1.17kW @ 230V) single phase AC
AU10/3	94 010 010	10	C	3.0kW @240V (2.75kW @ 230V) single phase AC

Element

Copper sheathed element, incorporated into an easily removable heater plate, should replacement be necessary.

Inner container

Pressure tested to 1.38 bar (20 psi). A minimum head pressure of 4 metres is required.

Outer casing

The main body is substantial gauge sheet steel, anti-corrosion treated, and finished in white stoved enamel. End covers are moulded in grey ABS. The back has three fixing points for wall mounting.

Insulation

CFC/HCFC-free (ODP zero) polyurethane foam.

Thermostat

Capillary type, adjustable from 10°C to 70°C.

Safety cut-out

Models are available with a thermal fuse cut-out fitted in series with the adjustable thermostat.

Connections

15mm tails.

Electrical

The installation must comply with BS 7671 'Requirements for electrical installations' (IEE Wiring Regulations). It must be fully earthed and permanently connected to the electrical supply through a double pole linked isolating switch with minimum breaking capacity suitable for the loading.

Approvals

Kiwa approved. CE marked. Manufactured in the UK in a BS EN ISO 9001:2008, ISO 14001:2004, BS OHSAS 18001:2007 and ISO 50001:2011 registered factory.

Warranty

2 years product warranty, from date of purchase, with on-site service support. Full details are contained in the Installation Instructions supplied with each unit.



SANTON

Santon, Hurricane Way, Norwich, Norfolk, NR6 6EA

Specification Advice Hotline

Tel: 01603 420128 Fax: 01603 420229 E-mail: specifier@santon.co.uk

After Sales Service

Tel: 0344 871 1530 E-mail: customer.support@heatraesadia.com

Website

www.santon.co.uk

BY **HEATRAESADIA**

The pace of product development is such that we reserve the right to change product specifications without notice. We do, however, strive to ensure that all information in this catalogue is accurate at the time of going to publication.

© September 2015

PN 94 900 901 B/JN 204344-088



Please recycle this product once you have finished with it.