

# JC1026/WH

## V50™ Pro

V50™ Pro Tilt Fire-rated LED Downlight 7.5W IP65 3000/4000K White

### Features & Benefits

- IP65, suitable for bathrooms with a slimline double hinged driver, including colour coded loop in/loop out terminals
- 20° Tilt and 350° rotation, suitable for cut outs Ø86mm
- Low profile design, for installations in shallow 50mm ceiling voids
- Selectable colour temperature of 3000K & 4000K
- See [jcc.co.uk](http://jcc.co.uk) for latest Fire test reports
- This product contains a light source of energy efficiency class F



### General Information

Mounting	<b>Recessed</b>
Trade Name	<b>V50™ Pro</b>
Environment	<b>Indoor</b>
Product Group	<b>Fire-rated Downlights</b>
Color Finish	<b>White</b>
Product Shape	<b>Round</b>
Product Range	<b>Fire-rated Downlights</b>
Overall Dimensions	<b>Ø100 x 62.7</b>
Height (mm)	<b>62.7</b>
Diameter (mm)	<b>100</b>
Product Weight(kg)	<b>0.380</b>
Light Source	<b>LED</b>
Light Source Features	<b>Colour Selectable</b>
Additional Information	<b>Maximum ceiling thickness is 30mm</b>
Overall Dimensions (mm) Rim	<b>Ø100</b>
Recommended Product Location	<b>Indoor use only</b>
Minimum Void Requirement	<b>50mm</b>
Method Of Fix	<b>Recessed with Spring Clips</b>
Product Aperture Size	<b>Ø86mm</b>
Max Angle Of Tilt & Rotation	<b>20° Tilt/350° rotation</b>
IP Rating	<b>IP65</b>

Duration of Fire protection ( Mins)	<b>Tested for use in fire-rated ceilings. Full information and up-to-date fire testing certificates for ceiling system types are available on JCC.CO.UK</b>
Origin of manufacturer	<b>Made In China</b>
Warranty	<b>2 years standard warranty extends to a 3 year commercial warranty or 5 year domestic warranty when registered within the first year of purchase (See Website for terms and conditions)</b>
Dimming Protocol Compatibility	<b>Triac</b>
Driver Manufacturer	<b>JCC</b>
LED Manufacturer/Type	<b>Hongli</b>

## Electrical

Voltage Rating	<b>230-240</b>
Operating Frequency Hz	<b>50/60Hz</b>
Secondary running current(mA)	<b>175</b>
Constant Current or Constant Voltage	<b>CC</b>
Luminaire Circuit Wattage	<b>7.5</b>
Class	<b>II</b>
Output Voltage Max/Range (VDC)	<b>36</b>
Input Electrical Connections	<b>Colour coded Push Fit Terminals LEN Loop In/Loop Out</b>
Dimmable	<b>Yes</b>
Max No. In Run	<b>20</b>

## Thermals

Insulation Coverage	<b>Loosely Cover with Mineral Wool Insulation</b>
Minimum Void Requirement	<b>50mm</b>
Operating Temperature Range °C	<b>0 to 26</b>

## Performance Data

LED Life (Hours)	<b>51000</b>
------------------	--------------

Hours life stated is an indication of expected L70 chip and light output calculations when operating in optimum conditions. Product warranty period supports the full product during the term given. The L70 hours expectancy is not correlated with the full product warranty term, nor is it a representation of lumen depreciation during the warranty period.

Energy Rating	<b>This product contains a light source of energy efficiency class F</b>
Actual Lumen Output	<b>600/650</b>
Lumens Per Circuit Watt	<b>80/87</b>
Color Rendering Index	<b>80-89</b>
CRl: Ra	<b>80</b>
Correlated Color Temperature	<b>3000K/4000K</b>
Beam Angle °	<b>60</b>
LOR (Light Output Ratio) %	<b>100</b>
Photometry Available	<b>Yes: available on request.</b>

## Construction

Primary Material

Steel

Lens

Polycarbonate

Heat Sink

Aluminium

Driver Housing

Polycarbonate

Rim Or Attachment

Die-cast Aluminium

## Packaging

Product Packaged Weight(kg)

0.43

Quantity Per Outer Carton

20

Outer carton(L)- cm

61

Outer carton(W)- cm

24.5

Outer carton(H)- cm

17

Outer carton Net weight- kg

8.57

Outer carton Gross weight- kg

8.98

Product Bar Code EAN-13 Number

5052544113215

Outer carton Bar Code ITF-14 Number

15052544113212

## Standards & Approvals

Manufactured In Accordance To

BS EN 60598:2015, 2-1, 2-2

CE Marked

Yes

UKCA Marked

Yes

Date code/Purchase order No.

Yes

WEEE Symbol

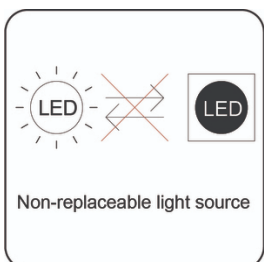
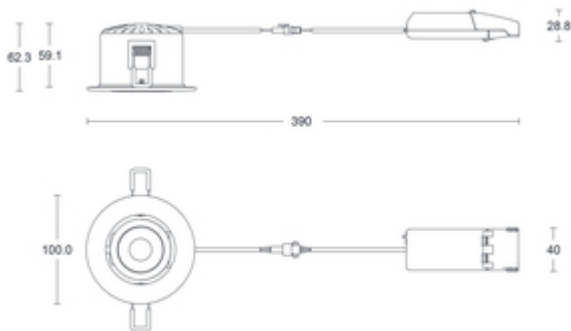
Yes

Certificate Of Conformity

Available on request

Accredited Members

LIA, ISO9001-2015, ISO14001-2015



JCC Lighting LTD, Lux Park, Chichester Business Park, City Fields Way, Tangmere, Chichester, West Sussex, PO20 2FT.  
Sales: 01243 838999 (8am to 5pm Monday to Friday) Fax: 01243 838998 | [sales@jcc.co.uk](mailto:sales@jcc.co.uk) | [www.jcc.co.uk](http://www.jcc.co.uk)  
Company Registration Number: 03044848 | VAT Number: 918544112

This document is uncontrolled if printed, all information is subject to change

Version 160 [13/04/2023]