

Code: 7G29EURO2

Hartland G2 | HARTLAND G2 RANGE | EuroFix Apertured Plates complete with Fixing Grid

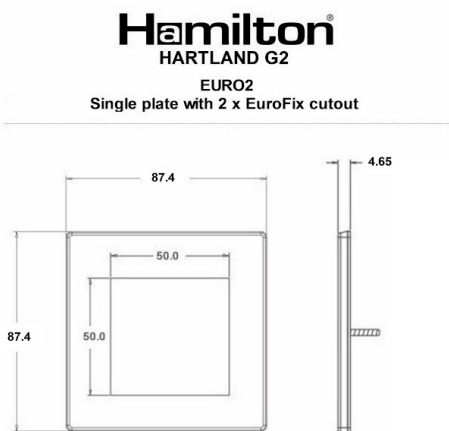
Product Image



Wiring



Dimensions



Insert Type	2 gang EuroFix 50x50mm Apertured Plate with Grid
Insert Colour	No Insert Colour
EAN13 Barcode	5051164003159
Commodity Code	73269098
Luckins TSI	407516854
Dimensions(Nominal)	Single: Height = 87.4mm Width = 87.4mm Depth = 4.65mm
Weight	90 GR
Fixing Hole Centres	Box Fixing = 60.3mm
Switched Poles	N/A
Current Rating	Insert Specific
Voltage	Insert Specific
Maximum Load	Insert Specific
IP Rating	N/A
Contact Gap Minimum	N/A
Earth Terminal Capacity 1	5x1mm ²
Earth Terminal Capacity 2	4x1.5mm ²
Earth Terminal Capacity 3	3x2.5mm ²
Earth Terminal Capacity 4	1x4mm ² Multi-strand
Earth Terminal Capacity 5	1x6mm ²
Product Class 1	Face plate must be earthed
Recommended Location	Internal Use Only
Maximum Installation Altitude	2000m
Standard/Approval	N/A
Additional Notes	See EuroFix for a full range of inserts. Plates must be Earthed via the Earth Tag.

R Hamilton & Co Ltd, Unit 10 Carrick Business Centre,
4-5 Bonville Road, Brislington, Bristol, BS4 5NZ

T: +44 (0)1747 860088

E: info@hamilton-litestat.com | **W:** www.hamilton-litestat.com

All accessories are manufactured under an accredited BS EN ISO 9001:2015 Quality Management System. It is the policy of the company to improve products as part of our development programme. Therefore, we reserve the right to alter designs and dimensions without prior notice. Illustrations and diagrams are reproduced within the limitations of reproduction and printing process and are not binding. Due to manufacturing processes we cannot guarantee an exact colour match and shadings of certain finishes. This datasheet was generated on 4/13/2023 12:27:15 PM E&OE