

# Niteflood® PIR LED Floodlights

Installation guide for LED Floodlights



## Warnings & Cautions

- To avoid electric shock, serious injury or property damage, isolate power before installing, removing or servicing the product.
- It is recommended that luminaires are installed by a qualified electrician to ensure the installation complies with the local current wiring regulations.
- Any broken or damaged parts should be replaced as soon as possible.
- JCC will not accept responsibility for claims arising from sub-standard installations; which will void the warranty.
- These products are designed for connection to a 220-240V~ 50/60Hz.
- The light source of this luminaire is not replaceable: When the light source reaches the end of its life, the whole of the luminaire must be replaced.
- It may be necessary to upgrade your MCBs to allow for increased inrush current.
- Terminal block not included. Installation may require advice from a qualified person.
- Do not install in areas that are exposed to continual running water or prone to flooding.
- Ensure that the mounting surface is both flat and stable.
- Never remove the lens cover as this will damage the sensor & render all warranties invalid.

## INSTALLATION

ENGLISH

Total circuit wattage	Lumens	LpcW	Colour temp.	Ra
10W	1000	100	4000K	83
20W	2100	105	4000K	83
30W	3200	107	4000K	83
50W	5600	112	4000K	83

Beam angle: 100°

Available finishes:  
Black or white

### Installation procedure

- Prepare the mains input cable for termination. Note that this product is class I and as such must be fitted with an earth connection.
- Drill mounting holes and insert suitable wall plugs.
- Rotate fitting to access screw mounting points on the bracket and secure using suitable fixings.
- Terminate input wiring to the fitting as per Fig. 1 to the left using a suitable IP rated connector.
- Check seals, gaskets and the cable gland integrity before testing the luminaire.
- Turn on power supply and test for correct operation.

The floodlight will light up for 10-15 seconds, then turn off. It is now in automatic PIR detection mode.

Note: The PIR has a manual override function.

#### To operate the manual override function:

Turn the power OFF/ON/OFF/ON within 5 seconds. The light will flash once to confirm manual override is activated

#### To return to Automatic PIR detection mode:

Turn off power for 10 seconds, then turn power ON. If the power is off for longer than 15 seconds the floodlight will light up for 5 seconds before activating automatic PIR detection mode.

### Positioning The Unit (Fig. 2)

When selecting the mounting position take into account the following points:

- The sensor is designed for optimum performance when mounted 2.5 meters above ground level.
- Avoid positioning close to trees or shrubs; which may cause false triggering during windy weather.
- Avoid pointing at or positioning close to heat sources such as flu's of heat extraction units; which may cause false triggering.
- Avoid positioning too close to bright lights, the unit will not function when setting LUX level to dark.
- The sensor is most sensitive to movement across the detection area as opposed to directly towards or away from the unit.

### The Field of Detection (Fig. 3)

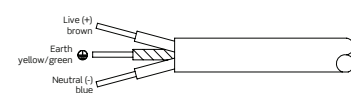
The field of detection can be adjusted by rotating the PIR both horizontally and vertically to avoid any false detections from neighbouring grounds or streets.

### Operation Mode & Adjusting (Fig. 4)

- ADJUSTING THE LUX CONTROL LEVEL:** The LUX control module has a built in sensing device (photocell) that detects daylight and darkness by rotating the LUX knob clockwise or anti clockwise/light to dark, you can set unit to the desired LUX level. **Note:** Wait for 5 - 10 seconds for the stability of the photocell (CDS) when adjusting the LUX level.
- ADJUSTING THE DURATION TIME:** The length of time sensor remains on after activation can be adjusted from (10 seconds to 7 minutes). Rotate the TIME knob to increase or decrease the duration time. **Note:** Once the load has been triggered by the PIR detector any subsequent detection will restart the time period.
- ADJUSTING THE DISTANCE:** Rotate the SENS knob to increase or decrease the distance of which movement will be picked up, from 5-10 metres.

### 220-240V 50/60Hz / Class I

Figure 1. Mains input



Wiring colours are for reference only

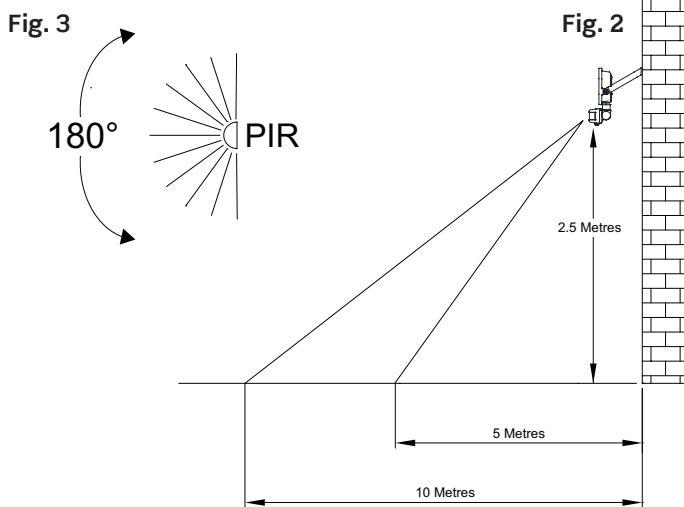
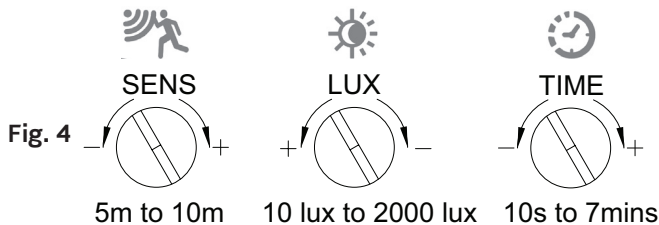
Terminal block must comply to EN 60998-2-1

### PIR Specification

Time Delay:	10s to 7 mins
Ambient Light:	10lux-2000lux
Detection Distance*:	5-10m
Detection Range:	180°
Installation Height:	1.8 to 2.5m
Standby Power Consumption:	≤0.9W

\*Detection distance will vary, depending on installation height

- Read instructions and check that you have all of the tools and accessories required to complete the installation correctly. Isolate power supply before starting the installation.

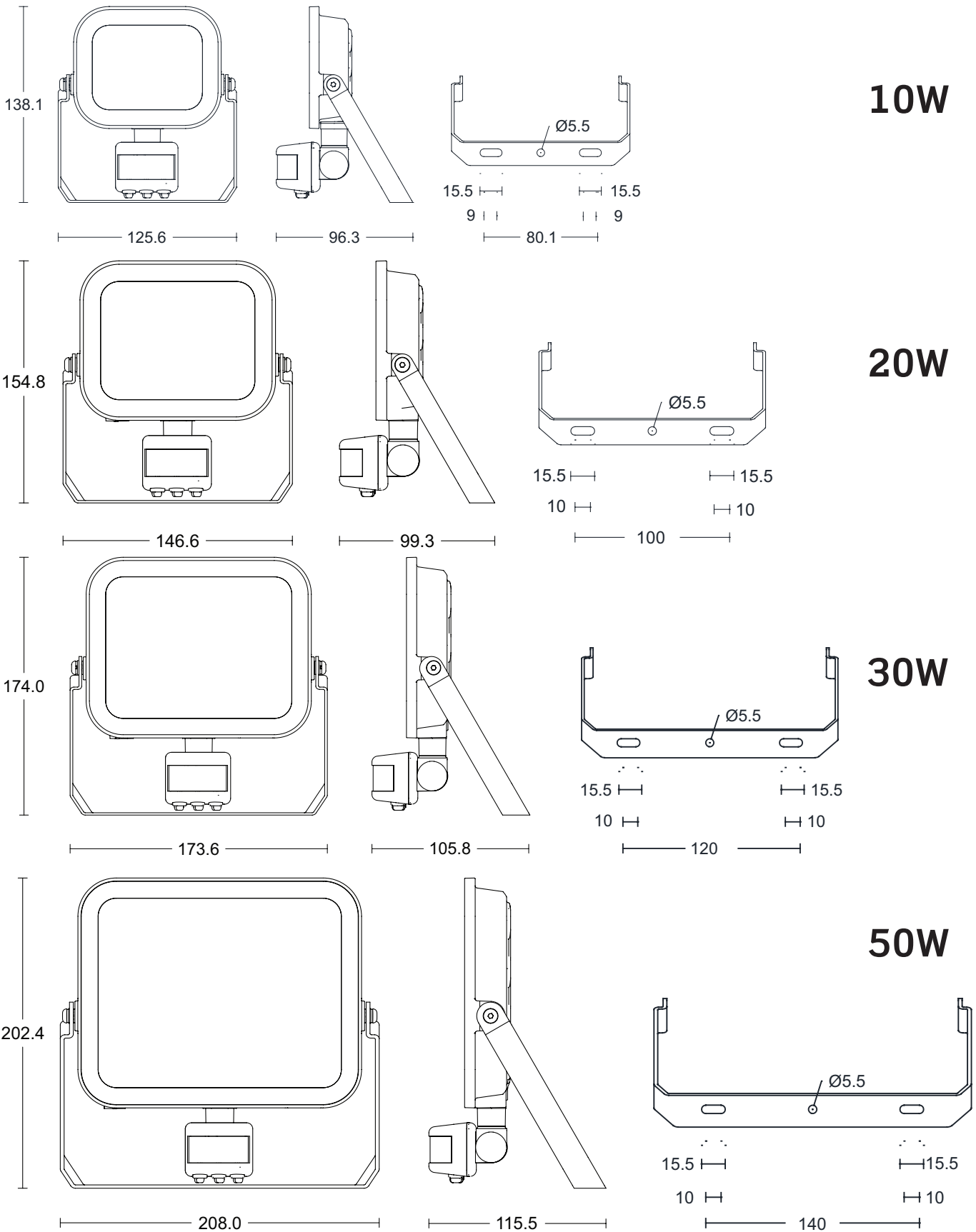


### General Maintenance

JCC recommends that all exterior products, especially those with stainless steel components are cleaned with warm water and dried with a chamois leather or absorbent dry cloth. Weathering, environmental pollution and bird droppings should be cleaned off with a non-abrasive cleaner suitable for the material type. To preserve the finish of the product, clean every two to three months. After installation is complete, then bi-annually, grease or lubricate removable fixings, to help ensure maintenance is trouble free.

## Profile & Dimensions

All dimensions in millimetres



### Important warranty information

This product is supported by a 2-year standard warranty which will extend to 3 years if registered within the first year of purchase. Please register at [jcc.co.uk/warranty](http://jcc.co.uk/warranty) - Terms and conditions apply.

The installer will be asked to provide the following information, which is detailed on a label attached to the luminaire's chassis: Product Code/Date Code.