

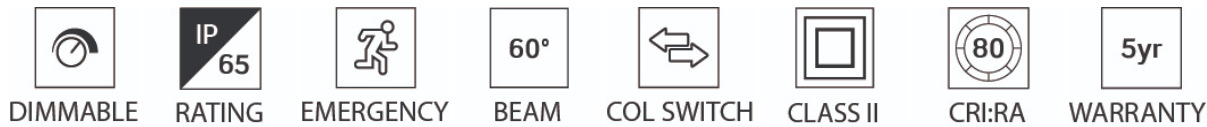
JC1001/CH

V50

V50 Fire-rated LED downlight 7.5W 650lm IP65 CH

Features & Benefits

- Two colour selectable from below the ceiling 3000K & 4000K
- Ultra-low profile suitable for shallow 50mm ceiling voids
- Tested for use in fire-rated ceilings
- IP65 suitable for bathrooms (internal use only)
- Strong protected spring clips
- Fast push-fit termination with remote driver
- Twist & lock bezel design
- Available as complete fixture (JC1001) or without bezel (JC1001/NB)
- JC1001/NB requires separate bezel (JC1006)



General Information

Mounting	Recessed
Environment	Indoor
Product Group	Fire-rated Downlights
Product Range	V50
Trade Name	V50
Color Finish	Chrome
Product Shape	Round
Product Weight(kg)	0.29
Overall Dimensions	Ø84 x 67.7
Light Source	LED
Light Source Features	Colour Selectable
Luminaire Accessories	Black, Brushed Brass, Brushed Nickel or White Replacement Bezel; Concealer Ring; Converter Plate
Overall Dimensions (mm) Rim	Ø84
Recommended Product Location	Indoor use only
Minimum Void Requirement	50mm
Method Of Fix	Recessed with Spring Clips
Product Aperture Size	70mm

IP Rating	IP65
Duration of Fire protection (Mins)	Tested for use in fire-rated ceilings. Full information and up-to-date fire testing certificates for ceiling system types are available on JCC.CO.UK
Origin of manufacturer	Made In China
Warranty	2 years standard warranty extends to a 3 year commercial warranty or 5 year domestic warranty when registered within the first year of purchase (See Website for terms and conditions)
Dimming Protocol Compatibility	Triac
Driver Manufacturer	JCC
LED Manufacturer/Type	Hongli
Lighting Product Type 1	Fired Rated Downlights

Electrical

Voltage Rating	230-240
Operating Frequency Hz	50/60Hz
Secondary running current(mA)	175
Constant Current or Constant Voltage	CC
Luminaire Circuit Wattage	7.5
Class	II
Output Voltage Max/Range (VDC)	36
Input Electrical Connections	Push Fit Terminals LEN Loop In/Loop Out
Dimmable	Yes
Max No. In Run	20

Thermals

Insulation Coverage	Loosely Cover with Mineral Wool Insulation
Minimum Void Requirement	50mm

Performance Data

LED Life (Hours)	51000
------------------	--------------

Hours life stated is an indication of expected L70 chip and light output calculations when operating in optimum conditions. Product warranty period supports the full product during the term given. The L70 hours expectancy is not correlated with the full product warranty term, nor is it a representation of lumen depreciation during the warranty period.

Energy Rating	This product contains a light source of energy efficiency class F
Actual Lumen Output	600/650
Lumens Per Circuit Watt	80/87
Color Rendering Index	80-89
CRI: Ra	80
Correlated Color Temperature	3000K/4000K
Beam Angle °	60
LOR (Light Output Ratio) %	100
Photometry Available	Yes: available on request.

Construction

Primary Material
Lens
Heat Sink
Driver Housing
Rim Or Attachment

Steel
Polycarbonate
Aluminium
Polycarbonate
Die-cast Aluminium

Packaging

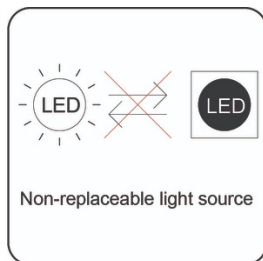
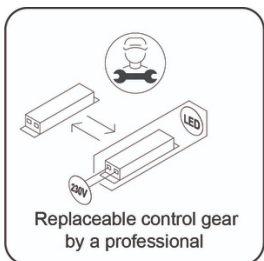
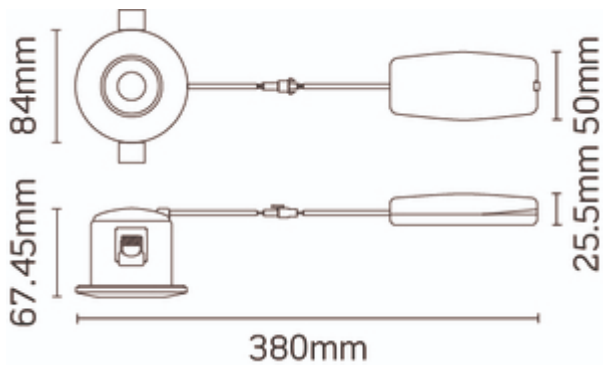
Product Packaged Weight(kg)
Quantity Per Outer Carton
Product Bar Code EAN-13 Number

0.4
20
5052544081217

Standards & Approvals

Manufactured In Accordance To
CE Marked
UKCA Marked
Date code/Purchase order No.
Certificate Of Conformity
Accredited Members

BS EN 60598:2015, 2-1, 2-2
Yes
Yes
Yes
Available on request
LIA, ISO9001-2015, ISO14001-2015





JCC Lighting LTD Innovation Centre, Beeding Close, Southern Cross Trading Estate, Bognor Regis, West Sussex PO22 9TS
Sales: 01243 838999 (8am to 5pm Monday to Friday) Fax: 01243 838998 | sales@jcc.co.uk | www.jcc.co.uk
Company Registration Number: 03044848 | VAT Number: 918544112

This document is uncontrolled if printed, all information is subject to change

Version 121 [24/02/2022]