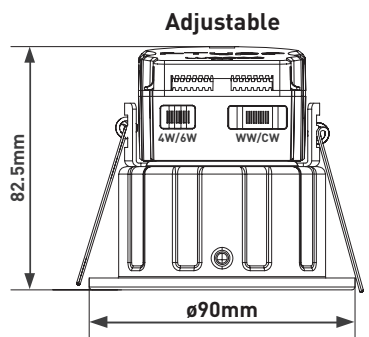
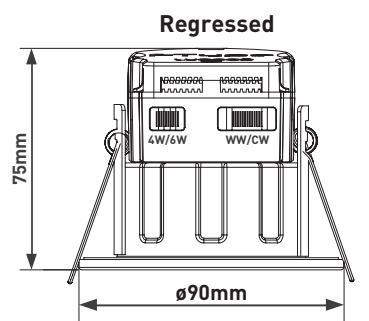
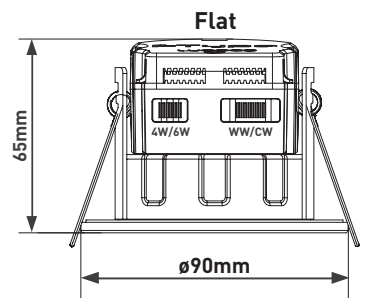


# FType MK2 POWER CHANGE 4W/6W & DIM2WARM CCT FIRE RATED DOWNLIGHT

## Product Features

- Power Selectable 6W/4W & Colour Selectable 3000K/4000K - Dim2Warm technology as standard.
- Benefit from better lighting to create that cosy space. Adjusts colour temperature as you dim to create that warm tone associated with traditional dimmed filament and halogen lighting. The more you dim, the warmer the glow. Note: FType can also be installed with standard light switch. Default 100% brightness in selected colour and wattage setting.
- Trade rated toolless SpeedFit connector - loop in/out piano key terminals for solid or stranded cable.
- QuickView Cable Window for ease of inspection - check wire connections to terminals after cables secured in place.
- Supplied with removable Matt White slim bezel -ideal for when decorating and painting ceilings.
- Fire tested in 30, 60 and 90 minute solid timber joist, & 30 minute i-joists.
- Part L1 / L2, Part C air leakage, Part E acoustic compliant.
- Available in Flat, Regressed and Adjustable in Polished Chrome, Brushed Steel & Matt Black bezel finish.



CAT NO.	WATTAGE	COLOUR CHANGE TEMPERATURE	LUMINAIRE LUMEN	USEFUL LUMENS
FTF6WD2W	4W / 6W	Dim2Warm 3000-2400K* 4000K	425 / 675lm (3000K)	333 / 523lm (3000K)
FTR6WD2W			460 / 690lm (4000K)	357 / 536lm (4000K)
FTA6WD2W				

CAT NO.	BEZEL TYPE	LUMINAIRE LUMENS PER WATT	CRI	BEAM ANGLE	FREQUENCY (V/Hz)	CURRENT	POWER FACTOR	AMBIENT TEMP RATED LIFE (°C)
FTF6WD2W	Flat	106 / 113lm/W (3000K)	>80	60°	220-240 / 50-60	22mA / 30mA	>0.9	25°C
FTR6WD2W	Regressed	115 / 115lm/W (4000K)						
FTA6WD2W	Adjustable							

\* Dim2Warm only active in 3000K setting on dimmer switch. FType can also be installed with standard light switch. Default 100% brightness in selected colour and wattage setting.

