

MOSI CIRCULAR

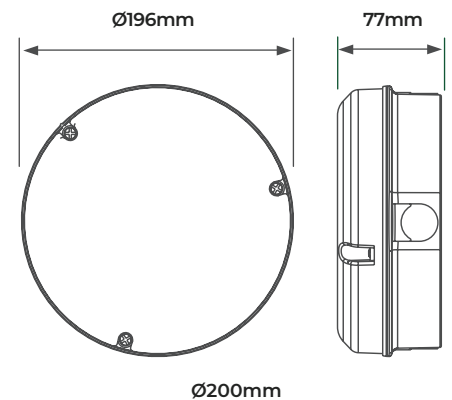
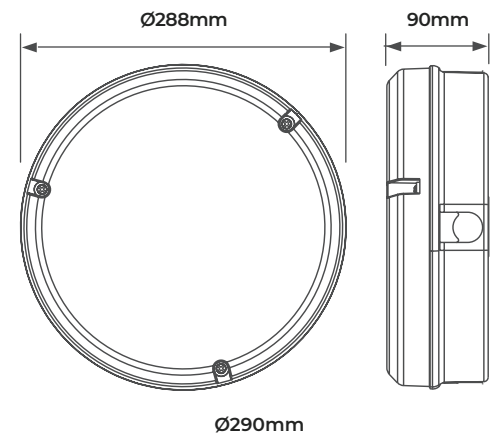
Product Features

- Polycarbonate base and diffuser for increased durability
- Opal prism diffuser with inbuilt LED gear tray for easy installation
- Surface mounting luminaire with 4 side and 1 rear conduit entry points
- Output equivalents to 16W and 28W 2D



Product Drawing

CAT NO.	DRIVER	SIZE mm	BASE COLOUR	LUMINAIRE LUMENS	WATTAGE
LBM290B11S40	Standard	ø290	Black	1150	11W
LBM290B11S40MW	Microwave	ø290	Black	1150	12W
LBM290B11E40	Emergency	ø290	Black	1150	12W
LBM290B11E40MW	Microwave Emergency	ø290	Black	1150	12W
LBM290W11S40	Standard	ø290	White	1150	11W
LBM290W11S40MW	Microwave	ø290	White	1150	12W
LBM290W11E40	Emergency	ø290	White	1150	12W
LBM290W11E40MW	Microwave Emergency	ø290	White	1150	12W
LBM200B7S40	Standard	ø200	Black	735	7W
LBM200W7S40	Standard	ø200	White	735	7W



CAT NO.	WEIGHT (kg)	EFFICACY (lm/W)	CRI	FREQUENCY (Hz)	UGR	IK RATING	TEMP RANGE (°C)	AMBIENT TEMP RATED LIFE (°C)	L/B RATED LIFE
LBM290*11S40	0.9	105	>80	50	≤21	IK08	-20 +30	25	L70 / B10
LBM290*11S40MW	1.1	95	>80	50	≤21	IK08	-20 +30	25	L70 / B10
LBM290*11E40	1.7	95	>80	50	≤21	IK08	0 +30	25	L70 / B10
LBM290*11E40MW	1.5	95	>80	50	≤21	IK08	0 +30	25	L70 / B10
LBM200*7S40	0.6	105	>80	50	≤21	IK08	-20 +30	25	L70 / B10

LBM290B11S40
Luminaire Performance
 Light Output Ratio: 100%
 Luminaire Efficacy: 102.38 lm/W
 Light Distribution: A41 +93.7% +6.3%
 CIE Flux Codes: 44 74 92 94 100
 UGR 4H 8H (20%, 50%, 70%) C0 / C90: 21.0 / 21.0

Luminous Intensity

■ C0 / C180 cd / 100lmc90 / c270

LBM200B7S40
Luminaire Performance
 Light Output Ratio: 100%
 Luminaire Efficacy: 105.56 lm/W
 Light Distribution: A41 +93.7% +6.3%
 CIE Flux Codes: 44 74 92 94 100
 UGR 4H 8H (20%, 50%, 70%) C0 / C90: 21.9 / 21.9

Luminous Intensity

■ C0 / C180 cd / 100lmc90 / c270

STANDARD	DESCRIPTION
EN 60598-1	Luminaires – General requirements
EN 60598-2-1	Luminaires – Fixed general purpose
EN 61000-3-2	Electromagnetic compatibility (EMC) – Part 3-2: Limits - for harmonic current emissions
EN 61000-3-3	Limits - Limitation of voltage changes, voltage fluctuations and flicker in public low-voltage supply systems, for equipment with rated current ≤ 16 A per phase and not subject to conditional connection
EN 61547	Equipment for general lighting purposes – EMC immunity requirements
EN 55015	Limits and methods of measurement of radio disturbance characteristics of electrical lighting and similar equipment

LUCECO

This luminaire contains built-in LED lamps.

A++
A+
A
B
C
D
E

} LED

The lamps cannot be changed in the luminaire.

874/2012

