

LUMI-PLUGIN®

**This is  
Lumi-Plugin.**



<b>Why Lumi-Plugin®?</b>	<b>03</b>
<b>Our values</b>	<b>04</b>
<b>Our Lumi-Plugin® Range</b>	<b>05</b>
- Lumi-Plugin® Downlight	07
- Lumi-Smoke®	10
- Lumi-Heat®	11
- Lumi-CO®	14
- Lumi-Sprinkler®	15
- Lumi-Mist®	18
- Lumi-Emergency®	19
- Lumi-PIR®	24
- Features	25
<b>Our One-Range</b>	<b>27</b>
- One-Smoke®	29
- One-Heat®	32
<b>Smart home</b>	<b>33</b>
<b>Lighting design service</b>	<b>36</b>
<b>Dimensions</b>	<b>37</b>
<b>Testing and guarantee</b>	<b>39</b>
<b>Third-party certification</b>	<b>40</b>
<b>Case studies</b>	<b>41</b>
<b>Become a Lumi-Legend</b>	<b>44</b>
<b>Contact us</b>	<b>45</b>

## Why Lumi-Plugin®?

Beautiful lighting no longer needs to compete for ceiling space with fire safety systems.

As the best residential fire-rated downlight on the market and one of the most streamlined lighting solutions in the world, Lumi-Plugin® is essential for smarter and safer properties.

Lumi-Plugin® modular design integrates intelligent, interchangeable and easy-to-install plugins at the heart of every downlight; including smoke alarm, heat alarm, CO alarm, sprinkler, mist, emergency lighting, PIR sensor and many more - one downlight fits all.



Lumi-Smoke®



Lumi-Plugin® Downlight



Lumi-Heat®



### Save lives

Designed to detect. Invented to protect. Lumi-Plugin® is the essential lighting solution for safer and smarter properties.



### Streamline interiors

Lumi-Plugin® downlights fitted with fire safety and energy-saving innovation unclutter ceilings, to create beautifully streamlined interiors.



### Accelerate installation

Save time, energy and costs. Lumi-Plugin® also simplifies design stages and coordination challenges for easy, speedy installation.



### Reduce footprint

Serious about sustainability. Combined products, less packaging and less shipments reduce environmental impact and waste.



## Our Lumi-Plugin® Range

One downlight. Multiple plugins.

Our range of interchangeable plugins are supplied and installed with our Lumi-Plugin® Downlight.



Lumi-Plugin® Downlight



Lumi-Smoke®



Lumi-Heat®



Lumi-CO®



Lumi-Sprinkler®



Lumi-Mist®



Lumi-Emergency®



Lumi-PIR®



“ Installing Lumi-Plugin has optimised our processes to achieve a faster installation and smooth project completion, all whilst improving ceiling aesthetics and ensuring safety.”

A2Dominion  
Housing Provider





# Lumi-Plugin® Downlight

LP110WH3K / LP110WH4K

600 Lumens | IP65 Rating | Fire-rated 30/60/90

More than a light. Our sleek, tapered-edged downlight is compatible with all of our innovative, interchangeable plugins to streamline ceilings and save lives. All Lumi-Plugin® Downlights are guaranteed for 5 years.

## Lumi-Plugin® Downlight specification

Lumens	600 lumens
Wattage	8.2W
Voltage	220-240V AC 50Hz
Dimmable	Trailing edge
Built-in driver	Yes
Colour temperature	3000K/4000K
Cut-out size	92mm
Guarantee / hours	5 years / 50,000 hours
Colour rendering index (CRI)	>80
Beam angle	100 degrees
Product depth / diameter	55mm / 110mm
kWh per 1000hr life	10kWh
Luminaire efficiency	86.05lm/W
Energy rating	F
Fire-rated	30/60/90 – Solid Joist 30 – Metal Webbed Joist & I-Joist



Non fire-rated and non IP rated models available  
LP110WH3KIP / LP110WH4KIP / LP110WH3KFR /  
LP110WH4KFR / LP110WH3KNIL / LP110WH4KNIL

## Features



5-year guarantee



IP rated



Dimmable



100° beam angle



600 lumens



Fire-rated 30/60/90



Built-in driver



Class 2





## Lumi-Smoke®

LP110WH3KMBWSA / LP110WH4KMBWSA

World's smallest mains smoke alarm | Battery back-up | Wireless connectivity

The world's smallest, mains-powered smoke alarm is designed to fit inside the centre of our Lumi-Plugin® Downlight. It blends in seamlessly and connects wirelessly to our heat alarm to protect the entire property.

### Lumi-Smoke® specification

Battery type	Non-replaceable CR2 10-year battery
Interlink frequency	868MHz
Operating temperature	-10°C to +70°C
Voltage	110V AC, 230V AC
Power consumption	161mAh in non-alarm condition
Sound	Audible indicator minimum 85dB @ 3 metres in anechoic successive tones
Fire-rated	30/60/90 – Solid Joist 30 – Metal Webbed Joist & I-Joist
Complies to	BS 5839: Part 6 Grade D1



((( WIRELESS TEAM

This product is part of the Wireless Team aiding smooth connection in the home between your smoke and heat alarms.





# Lumi-Heat®

LP110WH3KMBWHA / LP110WH4KMBWHA

World's smallest mains heat alarm | Battery back-up | Wireless connectivity

The world's smallest, mains-powered heat alarm is designed to fit inside the centre of our Lumi-Plugin® Downlight. It connects wirelessly with our smoke alarm to offer complete coverage, rapid connectivity and clutter-free ceilings.

### Lumi-Heat® specification

Battery type	Non-replaceable CR2 10-year battery
Interlink frequency	868MHz
Operating humidity	Up to 95% RH non-condensing
Operating temperature	+4°C to +38°C (tested 0°C to 55°C)
Voltage	110V AC / 230V AC
Power consumption	145mAh in non-alarm condition
Sound	Audible indicator minimum 85dB @ 3 metres in anechoic successive tones
Fire-rated	30/60/90 – Solid Joist 30 – Metal Webbed Joist & I-Joist
Complies to	BS 5839: Part 6 Grade D1



This product is part of the Wireless Team aiding smooth connection in the home between your smoke and heat alarms.





## Lumi-CO®

LP110WH3KCOA / LP110WH4KCOA

World's smallest mains CO alarm | Battery back-up

The world's smallest carbon monoxide alarm is designed to fit inside the centre of our Lumi-Plugin® Downlight. It protects against the silent killer and is designed to stay out of sight and give you peace of mind.

### Lumi-CO® specification

Battery type	Non-replaceable CR2 10-year battery
Battery life	Minimum 10-year life in normal operating conditions
Sensor life	10 years after manufacturing date
Sound	Audible indicator minimum 85dB @ 3 metres in anechoic successive tones
Operating temperature	+4°C to +38°C (tested 0°C to 55°C)
Operating humidity	Up to 90% RH non-condensing
Fire-rated	30/60/90 – Solid Joist 30 – Metal Webbed Joist & I-Joist







# Lumi-Sprinkler®

LP110WH3KSPK / LP110WH4KSPK

Concealed sprinkler system | IP54 Rating | Fire-rated 30/60/90

Our sprinkler plugin safely delivers a fire suppressing supply of water from the centre of a Lumi-Plugin® Downlight – it's like having your own firefighter in every room.

Lumi-Sprinkler® specification		
Brand	RD107	RD205
K factor	5.6	4.9
Cover plate size	60mm (2-3/8")	
Link	Fusible link	
Max. working pressure	12.1 bar (175 psi)	
Temperature rating	Sprinkler: 72°C (162°F) Cover plate: 60°C (140°F)	
Vertical adjustment	9.0mm (3/8")	
Fire-rated	30/60/90 – Solid Joist 30 – Metal Webbed Joist & I-Joist	





## Lumi-Mist®

LP110WH3KIMIST / LP110WH4KIMIST

No water tank needed | Fire-rated 30/60/90 | Developed with iMist

Our water mist fire suppression plugin is easy to install, cost effective, and uses less water than traditional sprinklers so there's no need to install a water tank.

### Lumi-Mist® specification

Design pressure	36+Bar
Design flow	8lts (max)
Coverage	16m <sup>2</sup> (max) floor area per nozzle
Temperature rating	55 degrees +
Approval	Successfully live fire tested to BS 8458:2015 Annex C by Exova Warringtonfire and ongoing R&D testing by FPA
Classification	Residential
Fire-rated	30/60/90 – Solid Joist 30 – Metal Webbed Joist & I-Joist



CE  iMIST





# Lumi-Emergency® Flood

LP110WH3KFLEM / LP110WH4KFLEM

Install in exit routes | 3 hour battery back-up | Fire-rated 30/60/90

Position to flood light over fire extinguishers, fire doors, and stairways to ensure all emergency exit routes throughout the property are well lit.

## Lumi-Emergency® Flood specification

Battery size / type	3.2V 3.8Ah LiFePO4
Beam angle	115 degrees
Voltage	240V
Light source	Samsung LH315B
Light source colour temperature	6500K
Non-maintained	Yes
Output at 550mA	201 lumens
Power rating	3W
Wiring method	Series connection via C4201 plug

Lumi-Emergency models are also available as DALI self-test maintained.





## Lumi-Emergency® Corridor

LP110WH3KCOEM / LP110WH4KCOEM

Install in corridors | 3 hour battery back-up | Fire-rated 30/60/90

Far-reaching, horizontal beam angle provides emergency lighting for the length of corridors, hallways and exit routes.

### Lumi-Emergency® Corridor specification

Battery size / type	3.2V 3.8Ah LiFePO4
Beam angle	155 degrees
Voltage	240V
Light source	Samsung LH315B
Light source colour temperature	6500K
Non-maintained	Yes
Output at 550mA	232 lumens
Power rating	3W
Wiring method	Series connection via C4201 plug

Lumi-Emergency models are also available as DALI self-test maintained.



## Lumi-Emergency® Living

LP110WH3KHTEM / LP110WH4KHTEM

Install in living spaces | 3 hour battery back-up | Fire-rated 30/60/90

Dims the green LEDs on our emergency plugin at night so restful room lighting and peace of mind ensures safe and sound living.

### Lumi-Emergency® Living specification

Battery size / type	3.2V 3.8Ah LiFePO4
Beam angle	135 degrees
Voltage	240V
Light source	Samsung LH315B
Light source colour temperature	6500K
Non-maintained	Yes
Output at 550mA	224 lumens
Power rating	3W
Wiring method	Series connection via C4201 plug

Lumi-Emergency models are also available as DALI self-test maintained.





## Lumi-PIR®

LP110WH3KMPIR / LP110WH4KMPIR

Mains-powered | IP54 Rating | Fire-rated 30/60/90

Our automatic PIR sensor plugin helps you to reduce energy costs by activating the lighting system only when the space is in use. Easy to install inside Lumi-Plugin® Downlights – they help to take care of your property, and the planet too.

Lumi-PIR® specification	
Ambient light	>3-2000 LUX adjustable
Detection distance	6m (max)
Detection moving speed	0.6-1.5 m/s
Detection range	360 degrees
Installation height	2-4 metres
Power consumption	0.5W
Voltage	220-240V AC 50/60Hz
Rated load	Max. 400W
Time delay	Min. 10sec, Max. 15min
Working humidity	<93%RH
Working temperature	-20°C to +40°C
Fire-rated	30/60/90 – Solid Joist 30 – Metal Webbed Joist & I-Joist



## Features



### 'Red and ready' Junction Box

Installing Lumi-Plugin® couldn't be easier, or quicker. With our built-in driver fitted on the inside, you just need to connect our screwless junction box on the outside. Simply daisy-chain Lumi-Plugin® Downlights together. Let us know how easy you find it to install – we'd love to know if it ticks all of your boxes.



### Removable Bulb

Dimmable and replaceable, our continuous halo LED 3000K/4000K bulbs beam 600 lumens from every downlight. Unlike other LED downlights that require you to change the whole unit when they fail, our downlights only need you to change the low-voltage bulb without affecting the plugin at the centre. It's simply illuminating; especially as Lumi-Plugin® use Samsung LED chips that deliver 86.05 lumens per watt.



### Lumi-Modular with Apex Connector

Designed to accelerate lighting installation for Modern Method of Construction (MMC) and provide high-quality performance and finish. Lumi-Modular is integration-ready with plug-and-play innovation.

We pre-wire our product range with an Apex connector to ensure an easier, time-efficient and cost-effective installation process.



## Our One-Range

The world's smallest, mains-powered, recessed smoke alarm and heat alarm.

Our One-Range of essential plugins are designed to be installed as standalone fixtures – so are supplied without our LP110 Lumi-Plugin® Downlight.



One-Smoke®



One-Heat®

### Features



Mains-powered



10-year sealed battery



Pre-wired junction box



Fire-rated 30/60/90



Wireless connectivity

## Why the One-Range?

The One Range seamlessly integrates into any interior and connects to the Lumi-Plugin® Range.

Designed to deliver peace of mind without downlights, because we understand that not every room needs new lighting, but fire safety is always essential. Position and install exactly where they need to go to provide every property with discreet and complete fire-safety coverage.

- Essential safety systems without compromising on design
- Complete and discreet fire-safety coverage
- World's smallest design makes ceilings more beautiful
- Wirelessly connects with all Lumi-Plugin® alarms
- Quick to install – pre-wired junction box saves even more time.





# One-Smoke®

LS110WHMBWSA

World's smallest mains smoke alarm | Battery back-up | Wireless connectivity

Install without Lumi-Plugin® Downlights to ensure smoke alarms can be positioned exactly where they need to be for complete and discreet fire safety coverage.

### One-Smoke® specification

Battery type	Non-replaceable CR2 10-year battery
Interlink frequency	868MHz
Operating temperature	-10°C to +70°C
Voltage	110V AC, 230V AC
Power consumption	161mAh in non-alarm condition
Sound	Audible indicator minimum 85dB @ 3 metres in anechoic successive tones
Fire-rated	30/60/90 – Solid Joist 30 – Metal Webbed Joist & I-Joist
Complies to	BS 5839: Part 6 Grade D1



### WIRELESS TEAM

This product is part of the Wireless Team aiding smooth connection in the home between your smoke and heat alarms.







# One-Heat®

LS110WHMBWHA

World's smallest mains heat alarm | Battery back-up | Wireless connectivity

Designed to be installed without our Lumi-Plugin® Downlights to provide every property with fire safety coverage – without compromising interior design.

### Lumi-Heat® specification

Battery type	Non-replaceable CR2 10-year battery
Interlink frequency	868MHz
Operating humidity	Up to 95% RH non-condensing
Operating temperature	+4°C to +38°C (tested 0°C to 55°C)
Voltage	110V AC / 230V AC
Power consumption	145mAh in non-alarm condition
Sound	Audible indicator minimum 85dB @ 3 metres in anechoic successive tones
Fire-rated	30/60/90 – Solid Joist 30 – Metal Webbed Joist & I-Joist
Complies to	BS 5839: Part 6 Grade D1



### WIRELESS TEAM

This product is part of the Wireless Team aiding smooth connection in the home between your smoke and heat alarms.



## Smart home



### Lightwave

We have partnered with Lightwave to offer a complete smart home automation solution with built-in wireless technology.

Dim your downlights – just say the word.

Installing Lumi-Plugin® with Lightwave smart devices gives you an innovative and uniquely flexible way to control your lighting, appliances, heating and more. All via the app on your smartphone or tablet, using manual switches or with your voice using Apple, Google or Amazon voice assistants.



We have also tested with these smart home companies to bring you the most advanced products and deliver the best results – together we are building smarter and safer properties.

CASAMBI LOXONE

rako LUTRON

**Don't see the system you want?  
Get in touch and we can test it for you.**



“ We are bringing the best of our technology and innovation together to enhance lighting and your lifestyle.”

Ben Bishop, Lumi-Plugin®  
Operations & Marketing Director

## Lighting design service

Lighten your workload and streamline your interior – have your lighting plans expertly coordinated, streamlined and visualised by us.

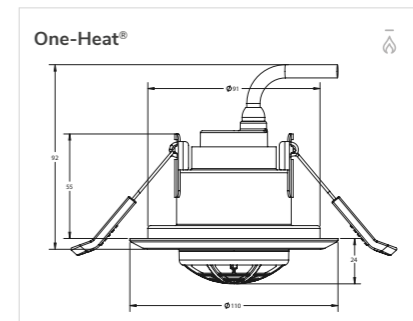
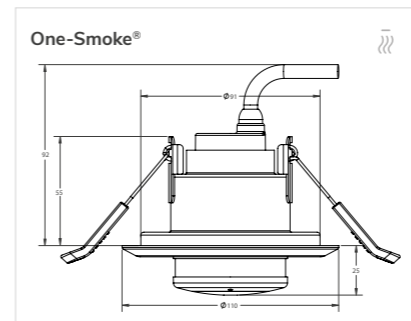
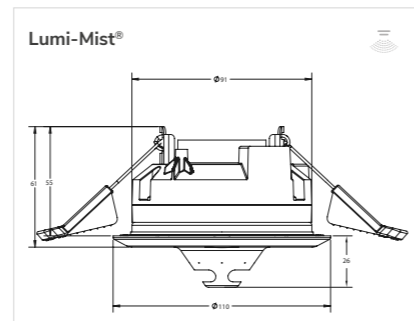
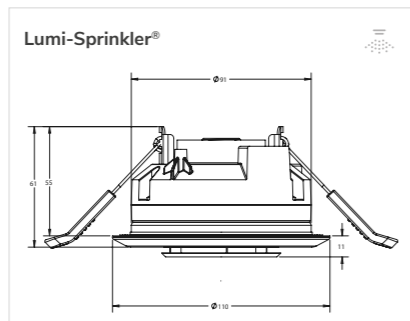
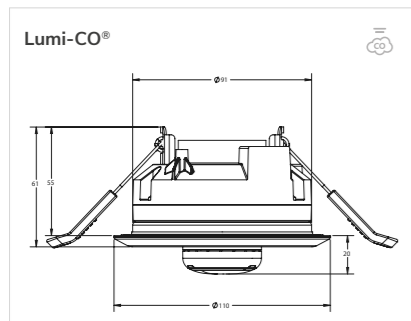
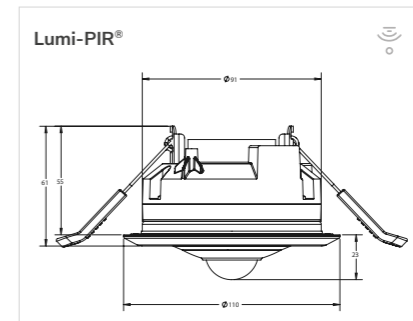
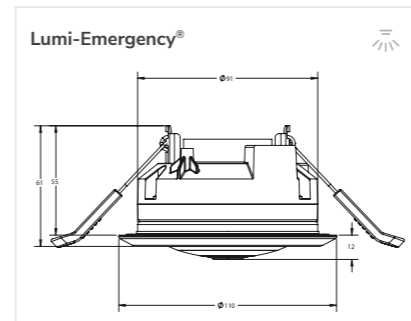
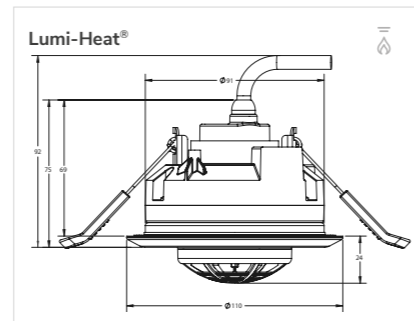
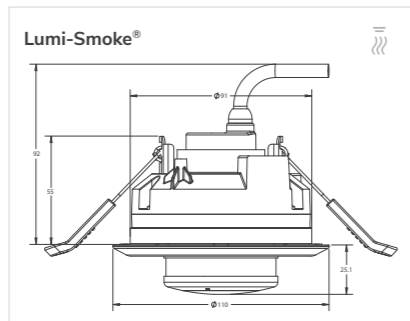
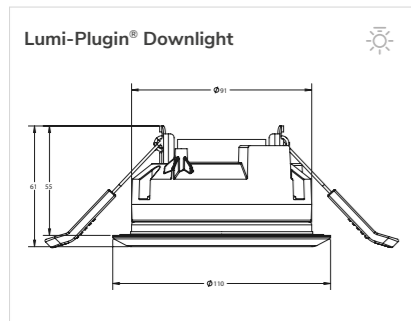
With our innovative downlight and plugin design combined with our lighting design service, we can help to transform the interior of your property – from planning and positioning to installation and completion.

If you're interested in seeing the difference our lighting design team can make to your project, give us a call, send over your plans and we will create a bespoke proposal to streamline your space – we're full of bright ideas.

+44 (0) 3303 801 329  
[designs@lumi-plugin.com](mailto:designs@lumi-plugin.com)



# Dimensions



## Testing and guarantee

We are proud to support our industry with products that deliver high-quality performance and results. All of our products are 100% tested and rated to ensure they exceed the highest product quality, energy, and safety standards before they leave our factory – you can check them all here. We give a minimum of a 5-year guarantee on all our products so if you have a problem, please get in touch and we will do everything we can to resolve it.

Testing	
Lumi-Plugin® Downlight	EN 60598-2-2: 2012, EN 60598-1: 2015 + A1: 2018, EN 62493: 2015, EN 61000-3-3: 2013+A1: 2019, EN IEC 55015: 2019+A11:2020, EN IEC 61000-3-2: 2019+A1:2021, EN 61547: 2009
Lumi-Smoke® / One-Smoke®	EN 14604:2005 + AC:2008, Complies to BS 5839: Part 6 Grade D1
Lumi-Heat® / One Heat®	BS 5446-2, Complies to BS 5839: Part 6 Grade D1
Lumi-CO®	EN 50291-1, EN 50270, EN 60355
Lumi- Sprinkler®	Commercial installations to LPS 1048 and residential installations to BS 9251:2014
Lumi-Mist®	Fire tested to BS 8458:2015 Annex C by Exova Warringtonfire and ongoing R&D testing by FPA.
Lumi-Emergency®	BS EN 61347-2-7:2012, BS 61347-1:2015, BS 62471:2015, BS 60598-1:2015+A1:2018, BS 60598-2-2:2012, 60598-2-22:2014+A1:2020, BS 55015:2019+A1:2020, BS61547:2009
Lumi-PIR®	BS EN 60669-1:2018, BS EN 60669-2-1:2004+A1:2009+A12:2010

All Lumi-Plugin® products are CE and UKCA marked  
 Fire Rating to EN 1365-2014  
 2002/96/EC – Waste Electrical and Electronic Equipment (WEEE) No: WEE/AU4375YF  
 2011/65/EU - Restriction of the use of certain Hazardous Substances in EEE (RoHS)  
 (EC) No 1907/2006 - The Registration, Evaluation, Authorisation and Restriction of Chemicals (REACH)  
 DOP – all available at lumi-plugin.com



## Third-party certification

Our business and products are third-party accredited by LIAQA, CNPP and BSI. We offer quality you can rely on.



As members of the Lighting Industry Association (LIA) and part of the Lighting Industry Association Quality Assurance (LIAQA) scheme, we have an annual audit in our factories.



Every year, we have audits specifically dedicated to our Smoke Alarm plugin from CNPP.



We have annual audits focused on our Heat Alarm plugin.



Case study

# Boston Road

Developer: A2Dominion






Main Contractor: Higgins Partnerships

Electrical Contractor: I-MEX (M&E)

Project: 360 apartments / 7405 products

Type: Private and social housing

Products used:

-  Lumi-Plugin® Downlights
-  Lumi-Sprinkler®
-  Lumi-Smoke®
-  Lumi-Heat®
-  One-Smoke®



Case study

# The Retreat





Developer: Kentish Projects

Main Contractor: Red Key Concepts

Project: 19 residential apartments

Type: Private housing

Products used:

-  Lumi-Plugin® Downlights
-  Lumi-Smoke®
-  Lumi-Heat®
-  Lumi-PIR®





## Become a Lumi-Legend

Are you an Electrician?

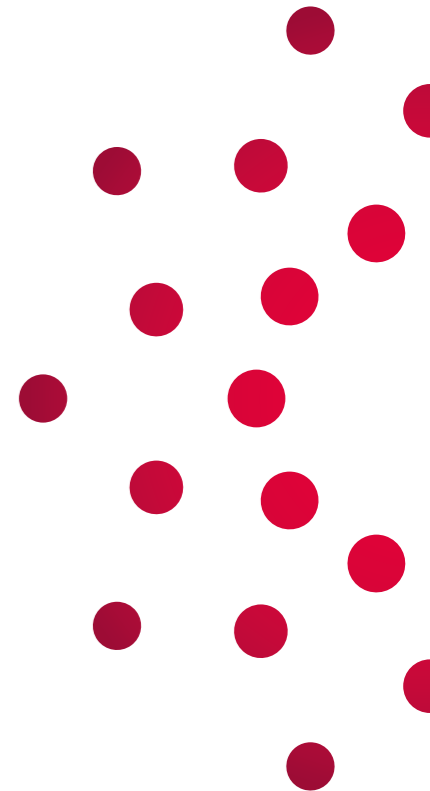
Join our mission to streamline interiors, accelerate installation, save lives and reduce our industry's impact on the planet.

Follow us on social media, post your latest Lumi-Plugin® installations with **#LumiLegend** and be part of our growing community.

We are helping to support Lumi-Legend electricians and lighting installation businesses by offering:

- Free advertising space on our website
- Exclusive discounts, updates and events
- Official merchandise and so much more...

From all of us at Lumi-Plugin® – thank you for the brilliant work you do.

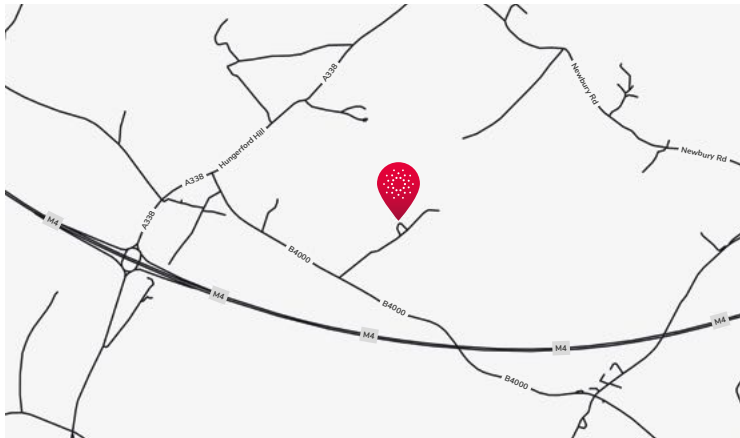


# Contact us

Do you have an exciting project?

Every member of our team is highly trained and always happy to talk you through any technical questions you may have. Give us a call or email us – we're here to support you however we can.

Find your nearest Lumi-Plugin® stockist and sign up to our newsletter at [lumi-plugin.com](https://lumi-plugin.com).



Lumi-Plugin Limited.  
Company number: 9152482.  
Registered address: The Green Barn, The Long Yard, Shefford Woodlands, Nr. Newbury, RG17 7EH.  
Specifications are subject to change.

+44 (0) 3303 801 329  
[hello@lumi-plugin.com](mailto:hello@lumi-plugin.com)  
[lumi-plugin.com](https://lumi-plugin.com)



Like what you see?  
Find out where to  
buy Lumi-Plugin®





**“ Our mission is to make every property smarter, every person safer and every future brighter.”**

Bob Ward, Founder