

# LED Showerlite Range

## Domestic Range

LEDCLKTC/IWLEDCLKTC



Our 100mm Part L compliant shower light fan now comes with an 3W LED lamp. Our LED lamp consumes 90% less power than the standard dichroic lamp!

- The Manrose LED Showerlite is a distinctive shower light which is incorporated into a circular diffuser, suitable for showers and bathrooms. Available in 100mm (4").
- Warm or cool light options.
- The LED Showerlite can be used within the splash area of the shower or bath and is powered by a SELV LED Driver.
- Part F and L compliant with a specific fan power down to 0.43 W/l/s.
- Available in two colours; white and chrome, the Manrose LED Showerlite will enhance any shower or bathroom providing a rich warm glow of soft light.
- The LED Showerlite is available in boxed carton packaging. Each pack is supplied complete with fan, Showerlite unit, LED Driver, one length of PVC flexible ducting, external wall grille, fixing screws, plugs and straps.



# Technical Details

**Cat. No.**    **Product type**

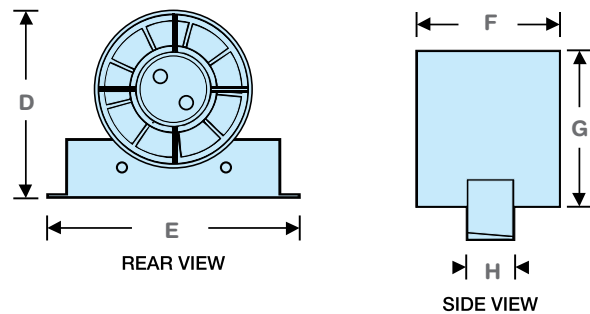
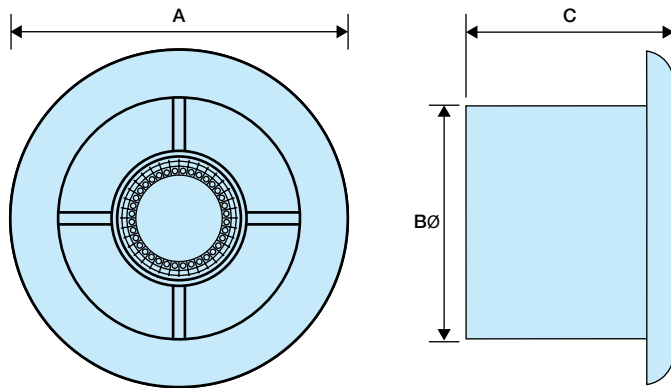
**Boxed Cartons**

**LEDSLKTC**    100mm Showerlite fan kit, complete with turning vane, backdraught shutter and an adjustable over run timer (1-20mins) with chrome/white fitting showerlite and 12 volt LED Driver. Also comes with 1.5m PVC ducting, butterfly clips, cables ties, screw plugs as well as an external grille. Warm light LED, Lumens output 180-200lm.

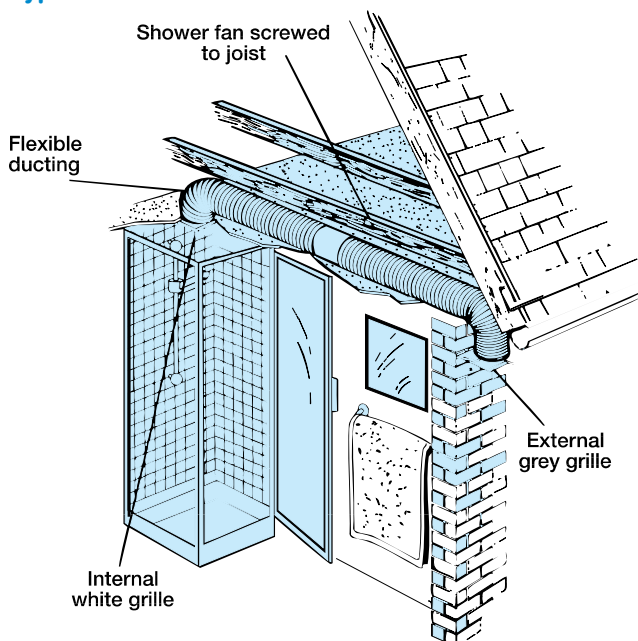
**IWLEDSLKTC**    As above but with cool light - Lumens output 240lm

**Dimensions (mm)**

PRODUCT	A	B	C	D	E	F	G	H
LEDSLKTC	140Ø	98	74	130	155	134	100	27
IWLEDSLKTC	140Ø	98	74	130	155	134	100	27



**Typical Installation**



**Packaging**

Boxed in outers of 5. For packaging dimensions, contact our technical department.

**Installation**

Designed to be ceiling mounted through 112mm (4") diameter flexible ducting or rigid pipes.

**Electrical**

12 volt DC 3W MR16 lamp.  
Powered by an LED Driver.  
Input, AC. Output - 12 volt DC. 1A

**Fan Information**

Fan Size: 4" (100mm)  
Maximum pressure: 20 p.a.  
Fan speed: 2400 r.p.m.  
Sound volume: 41 dB(A)  
Maximum operating temperature: 40°C  
Maximum airflow: 24 l/s  
Power consumption: 10.4W