



EH5621

18" (45cm) Remote Control Wall Fan
with 3 Speed Settings and 7.5 Hour Timer



User Manual

Please Retain for Future Reference

INTENDED USE

For use as a domestic cooling fan

INSTRUCTIONS

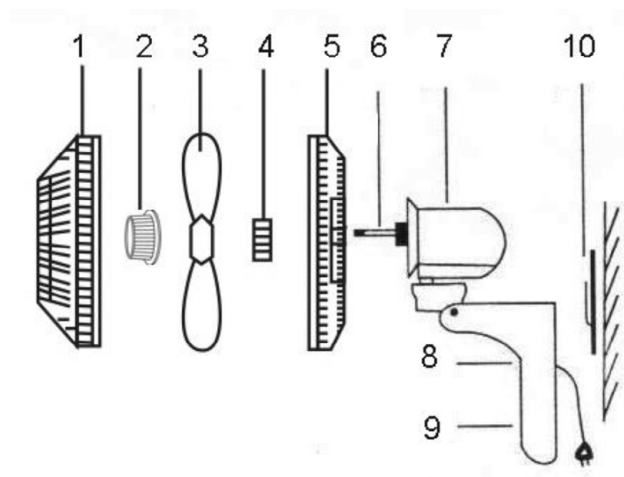
This manual forms part of the product and should be kept with the unit at all times. Should the unit be sold or moved on then the manual must be included.

PRODUCT SAFETY

- Please read these instructions carefully before use.
- This product and its mains lead must be checked before use for any signs of damage. If any is detected then do not use and contact your supplier.
- This appliance can be used by children aged from 8 years and above and persons with reduced physical, sensory or mental capabilities or lack of experience and knowledge if they have been given supervision or instruction concerning use of the appliance in a safe way and understand the hazards involved.
- Children shall not play with the appliance.
- For indoor use only.
- Do not use in bathrooms, swimming pools, shower rooms or other such locations
- Do not place the mains lead beneath a carpet or rug.
- Do not use this appliance in locations where paint, petrol or other flammable liquids are used or stored.
- Please ensure the appliance is switched off and unplugged when not in use.
- Do not use the appliance for anything other than its intended use.
- Do not insert any object into the appliance through the grilles. This may damage the product or result in overheating or electric shock.
- Periodically check this product and its mains lead for any signs of damage. If any damage is detected stop using it immediately and consult your supplier.
- This electric wall fan must be securely fixed to a suitable wall by a competent person, using appropriate fixings (not supplied). A site survey should be carried out beforehand to confirm that the wall is suitable for mounting this product
- Do not leave this product unattended when in use.
- There are no user serviceable parts in this product
- Do not move or knock this product while in use.
- Do not obstruct the air intakes or exhaust vents
- This product must only be used in an upright position.
- Do Not Cover
- Do not use in areas with high concentrations of dust or fibre particles.
- This product is designed for a 230V AC, 50Hz power supply. Connecting to an incorrect power supply can cause electrical shock or fire.
- Maintain a minimum clearance of 30cm (12 inches) around all sides for adequate airflow.
- This is an electrically powered device. Do not immerse in water or allow water to enter the unit.
- Avoid placing the unit near heat sources such as radiators, ovens, or direct sunlight.
- Care should be taken when fitting this product

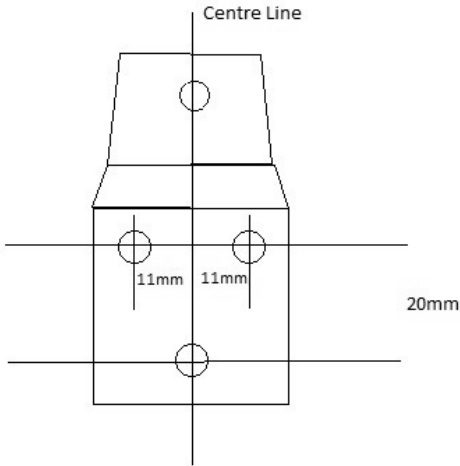
IDENTIFICATION OF PARTS

1. Front Grille
2. Blade Nut
3. Fan Blade
4. Guard Mount Nut
5. Rear Grille
6. Motor Shaft
7. Motor Housing
8. Fan Body
9. Control Panel
10. Mounting Plate



ASSEMBLY

1. Loosen the guard mount nut (4) from the motor housing (7)
2. Attach the rear grille (5) to the motor housing (7)
3. Secure the rear guard by attaching the guard mount nut (4) and turning tightly clockwise
4. Attach the fan blade (3) to the motor shaft (6) and fasten tightly
5. Place the front grille (1) on the rear grille (5) and secure using the clips attached to the front grille (1)

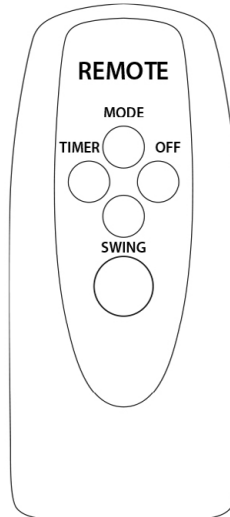


WALL MOUNTING

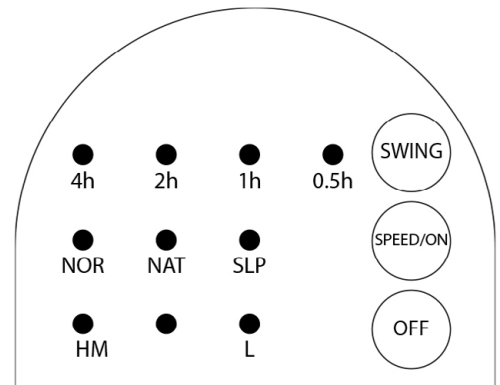
- Before installation select a suitable location for the fan where it is unlikely to cause an obstruction.
- Draw a vertical centre line approx. 80 mm long on the wall
- Draw 2 horizontal lines 20 mm apart to mark the upper and lower screw holes for the bracket.
- On the upper line mark 2 holes 11 mm either side of the centre line.
- Drill holes on the marked points using a 6 mm (1/4") masonry bit, and insert a wall-plug.
- Fix the bracket to the wall and fully tighten all screws.
- Slide the fan onto the bracket.

OPERATION

- Plug the mains lead into a 13 Amp mains socket. If any other appliances are connected to the same extension lead, make sure that it is rated for the total power of all appliances connected.
- If connecting via an extension lead, make sure that the lead is rated at 3 Amps or more, and that it is fully unwound.
- Switch the appliance on at the mains socket.
- Use the On/Speed button to start the fan, initially the fan will operate at low speed. Press the On/Speed button to choose between Low/Medium and High Speed
- The swing button allows the unit to oscillate the fan head to cover a greater area.
- To switch Off push the OFF button.



Remote Control



Onboard Control Panel

OPERATION (CONTINUED)

• The supplied remote control allows control of the On/Off, speed and oscillation but in addition the following extra functions are also available;

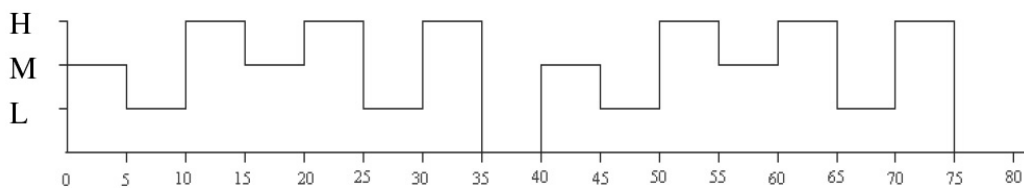
• **Timer:** repeatedly pressing the timer button will cycle through the 0.5, 1, 2, & 4 hour settings allowing a time selection of between 0.5 & 7.5 hours. At the end of the selected time the fan will stop. For continuous operation do not touch this button.

• **Mode:** The fan has 3 pre-set modes,

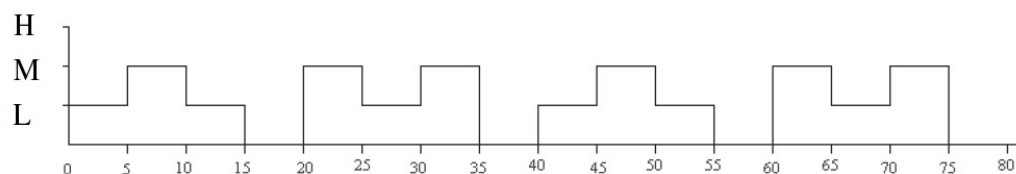
• Normal: for everyday use, and will operate as per the set fan speed.

• Natural: operates to the following pattern depending upon the fan setting:

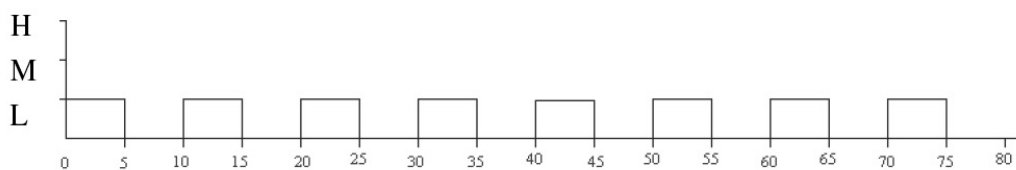
High Speed



Med Speed



Low Speed



Secs

• **Sleep:** In this operating mode the fan will operate at the set speed for half an hour then drop to the next lowest setting for another half an hour then operate at its lowest speed setting till the fan turns off.

- It is normal for the motor to become warm in normal use.
- Unplug the appliance from the mains when not in use.

OPERATING COSTS

At time of going to press, the average cost of electricity is £0.26 per unit (kilowatt-hour). The amount you are being charged will be shown on your electricity bill. At this cost, the EH5621 will cost 32p per day to run on the highest setting.

PAT TESTING

When used in an office environment, this product must be safety-tested yearly by a qualified electrician (PAT Tested) in order to comply with the Electricity at Work Regulations.

We recommend that it is PAT tested regularly when used in a domestic environment.

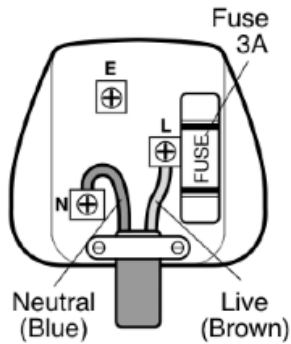
GENERAL SAFETY REQUIREMENTS

Domestic wiring must be tested periodically by a qualified electrician at least once every 10 years or at every change of occupancy.

For office and retail premises, and buildings such as village halls, the wiring must be inspected at least once every 5 years. It is recommended that all buildings be fitted with smoke alarms (it is mandatory for new buildings).

MAINTENANCE AND CLEANING

- There are no user serviceable parts in this product. Any maintenance must be carried out by a qualified and approved supplier.
- The item must be switched off and disconnected from the mains before cleaning and emptying.
- Clean on with a slightly damp cloth.
- Dust and debris can be removed using a soft bristle brush



If the mains lead is damaged, it must be replaced by the manufacturer or an authorised service centre.
If the mains plug needs to be replaced, proceed as follows;

- Connect the brown wire to the terminal labelled "L".
- Connect the blue wire to the terminal labelled "N".
- Make sure that the cord-grip is positioned correctly (over the outer sheath of the cable) and it is fully tightened.

DISPOSAL AND RECYCLING

You must not dispose of this appliance with domestic household waste.
Most local authorities have specific collection systems for appliances and disposal is free of charge to the end-user.
When replacing an existing appliance with a similar new appliance your retailer may take the old appliance for disposal.

TECHNICAL SPECIFICATION

Dimensions:.....	505x505x170mm	Operating Current:.....	0.3A
Weight:.....	2.7kg	Air Speed:.....	2.99m/s
Power Supply:.....	230V~	Noise:.....	67.6dBA
Power Consumption:.....	70W (max)	Service Value:.....	1.09 m3/W.min
Air Flow:.....	3195 m3/h (max)		

SERVICE WARRANTY

Prem-i-Air guarantees the product free from defects in materials and workmanship for a period of 2 years.
Should this appliance be operated under conditions other than those recommended, at voltages other than the voltage indicated on the appliance, or any attempts made to service or modify the appliance, then the warranty will be rendered void.
The product you buy may sometimes differ slightly from illustrations. This warranty is in addition to, and does not affect, your statutory rights. If you have any problems with this product, please call our Help Desk on **(0845) 459 4816**.



Manufacturer/Importer
Name: Prem-i-Air Appliances Ltd.
Address: Lancots Lane, Sutton Oak, St. Helens, WA9 3EX
Tel: 01744 745 030
E-mail: sales@prem-i-air.co.uk

EU Authorised Representative
Name: Aidapt B.V.
Address: Algolweg 22,
Amersfoort, 3821BH, NL
Tel: +31 0332779210
E-mail: nederland@aidapt.eu