

Traditional T-Series® Wall Models



Features & Benefits

- Extract/intake model in 4 sizes: 6", 7", 9" and 12"
- Patented electronic shutter system ensures quiet, trouble free operation
- For the very best from your fan use the Ecotronic controller
- Easy fit connector Top Socket, standard on all models

UK's No. 1 Commercial Fan

Behind the grille of the Vent-Axia T-Series Wall model is a range of high performance extract/intake ventilating units designed to fit through most wall thicknesses using telescopic liners supplied.

T-Series also features a unique speed control pack which enables high, medium or low speed to be preset to suit room size or required duty.

T-Series controllers may be used with this model to obtain a choice of speeds, reversible airflow direction and automatic sensor operation. The Vent-Axia Ecotronic controller gives even greater running economy with its minimum speed setting and 'E' mode.

Top Socket

A connector Top Socket is now standard on all T-Series fans. Allowing fast and trouble-free mains connection.

Shutter

TX models are supplied complete with an integral instantaneous automatic louvre shutter which will operate on both intake and extract and at any angle of mounting.

When the ventilating unit is used with a T-Series controller, the shutter can be set open with the fan motor switched off to provide natural ventilation without the security risk of an open window.

Electrical

Motor purpose-designed. Suitable for running at any angle. Quiet running, enclosed. Suitable for

operation in ambient temperatures from -40°C to +50°C.

Fitted with Standard Thermal Overload Protection (S.T.O.P.).

Supply voltage 220-240V/1/50Hz.

Models

Wall Models

Designed to fit into most double brick walls using the telescopic liners, supplied. Additional liners are available to accommodate exceptionally brick walls.

Model	Stock Ref
TX6WL	W161510A
TX7WL	W162510A
TX9WL	W163510A
TX12WL	W164510A

Wall Liner Section

Size	Stock Ref
6"	460094
7"	460095
9"	460096
12"	460086

Controllers

Ecotronic Controller Surface Mounting

Stock Ref
W362320

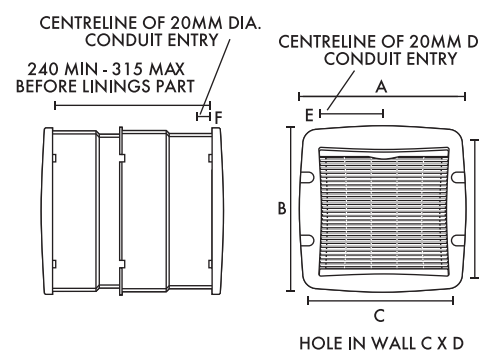
T-Series® Controller Surface Mounting

Stock Ref
W361119

Performance

Model	Extract performance m ³ /h (l/s)			Watts (high)	Sound dB(A) (med) @ 3m	Amps @ 240V
	low	medium	high			
TX6WL	270 (75)	350 (97)	395 (110)	40	43	0.24
TX7WL	335 (93)	435 (120)	530 (147)	40	39	0.24
TX9WL	515 (143)	755 (210)	870 (241)	85	43	0.42
TX12WL	1185 (329)	1530 (425)	1745 (485)	105	49	0.51

Dimensions (mm)



Size Dim.	6 in	7 in	9 in	12 in
A	310	352	391	470
B	303	345	388	467
C	290	330	365	442
D	290	330	375	450
E	104	124	143	182
F	25	25	25	25
Weight kg	5.54	6.13	7.77	10.86