



## NM Consumer Units for use in Domestic Household Premises

Amendment No. 3 BS 7671



# CONSUMER UNITS FOR USE IN DC

## 17th Edition Wiring Regulations Inco

### REGULATION 421.1.201

From January 2015 Amendment No. 3 to BS 7671 IET Wiring Regulations prescribe that within domestic (household) premises, consumer units and similar switchgear assemblies shall have their enclosures manufactured from non combustible material, or be enclosed in a cabinet or enclosure constructed of non combustible material and comply with product standard BS EN 61439-3.

#### What are Domestic Household Premises ?

Typical Domestic household premises would include single and multiple occupancy homes such as Houses, Bungalows, High Rise & Low Rise Flats, Apartments, Student lets, Sheltered Accommodation, Farmhouses, Houseboats, Static Homes, Home Office, attached Garages, Workshops and Detached Summerhouses etc.

Other types of building you may need to consider (these may be commercial ventures) but also where people live and guests sleep overnight such as Guest Houses, Hostels, Bed & Breakfast Accommodation, Nursing Homes etc.

#### What is Non Combustible Material ?

There are many types of non combustible material however, amendment 3 of the 17th Edition regulations provides an acceptable example as ferrous metal i.e. Steel Consumer Units.

#### What is an Enclosure ?

The consumer unit enclosure must be manufactured from a non combustible material so as to limit the spread of fire. An enclosure means the box, cover, door, hinges, handle and any components required to maintain the integrity of the unit.

#### What is Similar Switchgear ?

Similar switchgear is switchgear that is used for the same fundamental application i.e. a circuit protection assembly with two pole isolator and one or more circuit protection devices, e.g. fuse switch, garage unit or PV switchgear etc.

#### What are Cabinets ?

Typical cabinets are meter cabinets that are normally built into the fabric of the building and that may or may not include consumer units within. If the cabinet is of an all metal construction (non-combustible), then a standard skeleton consumer unit (FAL) can be installed within. If the cabinet is of a combustible material, a metal consumer unit is required.







# CONSUMER UNITS FOR USE IN DOMESTIC HOUSING

## 17th Edition Wiring Regulations Including Amendment No. 3

Amendment No3 has brought about the requirement for 'all metal' non combustible enclosures for consumer units and similar switchgear and this is in addition to the requirements for additional protection, which are summarised below - in domestic household premises;

- All socket outlets should be protected by 30mA RCD
- All circuits serving or passing through a room with a fixed bath or shower should be protected by one or more 30mA RCDs\*\*
- All cables buried beneath the plaster surface of the wall or partition (at less than 50mm) should be protected by 30mA RCDs\*\*\*
- All cables concealed in metal stud partitions (common in new builds) should be protected by 30mA RCDs\*\*\*
- Installations should be divided up into circuits so as to take account of danger and inconvenience caused by a single fault - e.g. such as a lighting circuit\*\*\*\*
- Installations should be designed and arranged so as to prevent unwanted tripping of RCDs\*\*\*\*
- Safety services such as smoke alarms should be on independent circuits\*\*\*\*

### SUMMARY TABLE

REGULATIONS	RELATING TO:	EXAMPLES	ADDITIONAL PROTECTION
<b>411.3.3*</b>	Sockets up to 20A rating	Upstairs Sockets Downstairs Sockets Kitchen Sockets Cooker outlet with integral 13A socket Garage Sockets <b>Plus any other sockets up to 20A rated</b>	<b>30mA RCD</b> Taking into account 3.14.1 **** 3.14.2 ****
<b>701.411.3.3**</b>	All Circuits serving or passing through a room with a fixed bath or shower	Shower circuit Lighting circuit Heating circuit Ventilation circuit Shaver Socket <b>Plus Other circuits</b>	<b>30mA RCDs</b> Taking into account 3.14.1 **** 3.14.2 ****
<b>522.6.200 series and 560.7.1***</b>	All circuits buried in a wall or partition at less than 50mm and without mechanical protection	Downstairs Lighting Upstairs Lighting Immersion heater Smoke Alarms Burglar Alarm (Safety service) <b>Plus any other circuits</b>	<b>30mA RCD</b> Taking into account 3.14.1 **** 3.14.2 ****

**Note: Each circuit may have more than one reason for additional protection by 30mA RCD eg: firstly because of the equipment ie: a socket outlet and secondly because of the cable installation method. Additional protection is provided as additional protection. It does not obviate the need for circuit protection by circuit breakers or fuses.**

- \* Regulation 411.3.3 socket outlets with a rated current not exceeding 20A.
- \*\* Regulation 701.411.3.3 Additional protection shall be provided for all circuits of the location by use of one or more 30mA RCD.
- \*\*\* Regulations in the 522.6.200 series cables concealed in a wall or partition at less than 50mm depth and without earthed mechanical protection e.g. conduit.
- \*\*\*\* Regulation 314.1 Every installation shall be divided into circuits as necessary to avoid danger and inconvenience in the event of a fault, take account of danger that may arise from the failure of a single circuit such as a lighting circuit, reduce the possibility of unwanted tripping of RCDs etc.
- \*\*\*\* Regulation 314.2 Separate circuits to be provided for parts of the installation that need to be separately controlled in such a way that those circuits are not affected by the failure of other circuits.
- \*\*\*\* Regulation 560.7.1 Chapter 56 circuits for safety services shall be independent of other circuits.

In addition Chapter 51 requires designers/installers to take account of all relevant British Standards and manufacturers instructions. For example BS5839 Part 6 is the British Standard for fire detection and alarm systems in dwellings. It states that power supplies to Grade D smoke alarms should be an independent circuit at the consumer unit, or a separately electrically protected local lighting circuit.



A typical domestic household application with meter cabinets







**MAIN SWITCH**

CAT REF	MS RATING	*WAYS
NM206/40	40A	2
NM206/63	63A	2
NM506	100A	5
NM806	100A	8
NM1106	100A	11
NM1406	100A	14
NM1906	100A	19

**FLEXIBLE MAIN SWITCH**

CAT REF	MS RATING	*WAYS
NM506FLEX	100A	5
NM806FLEX	100A	8
NM1106FLEX	100A	11
NM1406FLEX	100A	14
NM1906FLEX	100A	19



**HIGH INTEGRITY**

CAT REF	30mA RCD WAYS MCB	30mA RCD WAYS MCB	MS RATING	MS WAYS*	TOTAL
NMRS23206	2	3	100A	2	7
NMRS44206	4	4	100A	2	10
NMRS43306	4	3	100A	3	10
NMRS33406	3	3	100A	4	10
NMRS76206	7	6	100A	2	15
NMRS66306	6	6	100A	3	15
NMRS46506	4	6	100A	5	15
NMRS55506	5	5	100A	5	15
NMRS45606	4	5	100A	6	15

**FLEXIBLE HIGH INTEGRITY**

NMRS7SSLMHI	1 to 4	1 to 4	100A	1 to 4	7
NMRS10SSLMHI	2 to 5	2 to 5	100A	2 to 5	10
NMRS15SSLMHI	2 to 9	2 to 9	100A	2 to 9	15



**SPLIT LOAD**

CAT REF	RCD RATING	MCB WAYS	MS RATING	*WAYS
NMRS2406	80A 30mA	2	100A	4
NMRS3306	80A 30mA	3	100A	3
NMRS4206	80A 30mA	4	100A	2
NMRS5406	80A 30mA	5	100A	4
NMRS4506	80A 30mA	4	100A	5
NMRS3606	80A 30mA	3	100A	6
NMRS6306	80A 30mA	6	100A	3
NMRS3906	80A 30mA	3	100A	9
NMRS4806	80A 30mA	4	100A	8
NMRS6606	80A 30mA	6	100A	6
NMRS5706	80A 30mA	5	100A	7
NMRS7506	80A 30mA	7	100A	5
NMRS8406	80A 30mA	8	100A	4
NMRS9306	80A 30mA	9	100A	3
NMRS12506	80A 30mA	12	100A	5
NMRS11606	80A 30mA	11	100A	6
NMRS10706	80A 30mA	10	100A	7
NMRS61106	80A 30mA	6	100A	11
NMRS71006	80A 30mA	7	100A	10
NMRS9806	80A 30mA	9	100A	8
NMRS8906	80A 30mA	8	100A	9
NMRS51206	80A 30mA	5	100A	12

**FLEXIBLE SPLIT LOAD**

CAT REF	RCD RATING	MCB WAYS MIN MAX	MS RATING	*WAYS MIN MAX	*WAYS TOTAL
NMRS6SLM	80A 30mA	2 4	100A	2 4	6
NMRS9SLM	80A 30mA	3 6	100A	3 6	9
NMRS12SLM	80A 30mA	3 9	100A	3 9	12
NMRS17SLM	80A 30mA	5 12	100A	5 12	17

\* RCBOs or MCBs may be fitted to non RCD protected ways depending upon the installation requirements, see page 8.

Flush mounting consumer unit conversion kits available to order.





**DUAL RCD 2x 80A 30mA RCD**

CAT REF	MS WAYS	RCD 1 MCB WAYS	RCD 2 MCB WAYS	TOTAL No of MCB WAYS
NMISS3406	-	3	4	7
NMISS4606	-	4	6	10
NMISS5506	-	5	5	10
NMISS8706	-	7	8	15

**FLEXIBLE DUAL RCD 2x 80A 30mA RCD**

CAT REF	MS WAYS	RCD 1 MCB WAYS	RCD 2 MCB WAYS	TOTAL No of MCB WAYS
NMISS10SLM	-	6 Max	6 Max	10
NMISS15SLM	-	9 Max	9 Max	15

**RCD INCOMER**

CAT REF	RCD RATING	MCB WAYS
NMRS206/40	40A 30mA	2
NMRS206/63	63A 30mA	2
NMRS506	100A 30mA	5
NMRS806	100A 30mA	8
NMRS1106	100A 30mA	11
NMRM206/40	40A 100mA	2
NMRM206/63	63A 100mA	2
NMRM506	100A 100mA	5
NMRM806	100A 100mA	8
NMRM1106	100A 100mA	11
NMTM506	100A 100mA time delay	5
NMTM806	100A 100mA time delay	8
NMTM1106	100A 100mA time delay	11
NMTM1406	100A 100mA time delay	14
NMTM1906	100A 100mA time delay	19

**SPLIT LOAD WITH TIME DELAY RCD INCOMER**

CAT REF	RCD RATING	MCB WAYS	TD RCD RATING	*WAYS
NMSTM2406	80A 30mA	4	100A 100mA	2
NMSTM3306	80A 30mA	3	100A 100mA	3
NMSTM3606	80A 30mA	3	100A 100mA	6
NMSTM4206	80A 30mA	2	100A 100mA	4
NMSTM4506	80A 30mA	4	100A 100mA	5
NMSTM5406	80A 30mA	5	100A 100mA	4
NMSTM6306	80A 30mA	6	100A 100mA	3
NMSTM3906	80A 30mA	3	100A 100mA	9
NMSTM4806	80A 30mA	4	100A 100mA	8
NMSTM6606	80A 30mA	6	100A 100mA	6
NMSTM7506	80A 30mA	7	100A 100mA	5
NMSTM9306	80A 30mA	9	100A 100mA	3
NMSTM8906	80A 30mA	8	100A 100mA	9
NMSTM9806	80A 30mA	9	100A 100mA	8
NMSTM71006	80A 30mA	7	100A 100mA	10
NMSTM61106	80A 30mA	6	100A 100mA	11
NMSTM51206	80A 30mA	5	100A 100mA	12

**FLEXIBLE SPLIT LOAD (TIME DELAY)**

CAT REF	RCD RATING	MCB WAYS		TD RCD	*WAYS		*WAYS TOTAL
		MIN	MAX		MIN	MAX	
NMSTM9SLM	80A 30mA	3	6	100A 100mA	3	6	9
NMSTM12SLM	80A 30mA	3	9	100A 100mA	3	9	12
NMSTM17SLM	80A 30mA	5	12	100A 100mA	5	12	17

**DUAL TARIFF 100A MAIN SWITCH & 100A MAIN SWITCH**

CAT REF	MS RATING	*WAYS	MS RATING	*WAYS
NMIIIX2406	63A	2	100A	4
NMIIIX3306	100A	3	100A	3
NMIIIX5406	100A	5	100A	4
NMIIIX4506	100A	4	100A	5
NHIIIX3906	100A	3	100A	9
NHIIIX4806	100A	4	100A	8
NMIIIX7506	100A	7	100A	5
NMIIIX6606	100A	6	100A	6
NMIIIX5706	100A	5	100A	7
NMIIIX9806	100A	9	100A	8
NMIIIX8906	100A	8	100A	9
NMIIIX51206	100A	5	100A	12
NMIIIX11606	100A	11	100A	6

**DUAL TARIFF 100A MAIN SWITCH & 100A 30mA RCD SWITCH**

CAT REF	RCD RATING	MCB WAYS	MS RATING	*WAYS
NMRSX5706	100A 30mA	5	100A	7
NMRSX6606	100A 30mA	5	100A	6
NMRSX7506	100A 30mA	7	100A	5
NMRSX8906	100A 30mA	8	100A	9
NMRSX9806	100A 30mA	9	100A	8

**SPLIT LOAD DUAL TARIFF 100A MAIN SWITCH & 100A 30mA RCD SWITCH**

CAT REF	RCD RATING	MCB WAYS	MS RATING	*WAYS
NMRS10SLMDT	100A 30mA	2-5	100A	2-5
NMRS15SLMDT	100A 30mA	2-5	100A	2-5







**SPLIT LOAD DUPLEX**

CAT REF	TOP BANK		BOTTOM BANK	
	MS RATING	*WAYS	RCD RATING	MCB WAYS
NMDIS88	100A	8	80A 30mA	8
NMDIS1111	100A	11	80A 30mA	11
NMDIS1414	100A	14	80A 30mA	14
NMDIS1919	100A	19	80A 30mA	19

**HIGH INTEGRITY DUPLEX 2xRCDs, 1x 100A MAIN SWITCH**

CAT REF	80A 30mA	80A 30mA	80A 30mA	MS	TOTAL
	RCD WAYS BOTTOM BANK	RCD WAYS BOTTOM BANK	RCD WAYS TOP BANK	*WAYS TOP BANK	
NMDRS14SSLHI	-	8	Flexi	Flexi	14
NMDRS20SSLHI	-	11	Flexi	Flexi	20
NMDRS26SSLHI	-	14	Flexi	Flexi	26
NMDRS36SSLHI	-	19	Flexi	Flexi	36

**HIGH INTEGRITY DUPLEX 3xRCDs, 1x 100A MAIN SWITCH**

CAT REF	80A 30mA	80A 30mA	80A 30mA	MS	TOTAL
	RCD WAYS BOTTOM BANK	RCD WAYS BOTTOM BANK	RCD WAYS TOP BANK	*WAYS TOP BANK	
NMDRS12HI	Flexi	Flexi	Flexi	Flexi	12
NMDRS18HI	Flexi	Flexi	Flexi	Flexi	18
NMDRS24HI	Flexi	Flexi	Flexi	Flexi	24
NMDRS34HI	Flexi	Flexi	Flexi	Flexi	34

**DUAL RCD DUPLEX 2xRCDs, 100A MAIN SWITCH**

CAT REF	BOTTOM BANK		TOP BANK		TOTAL
	80A 30mA RCD WAYS	80A 30mA RCD WAYS	80A 30mA RCD WAYS	MS WAYS	
NMDISS119	-	11	9	-	20
NMDISS1214	-	14	12	-	26

**DUAL TARIFF DUPLEX**

CAT REF	TOP BANK		BOTTOM BANK	
	MS RATING	*WAYS	MS RATING	*WAYS
NMDIIX88	100A	8	100A	8
NMDIIX1111	100A	11	100A	11
NMDIIX1414	100A	14	100A	14
NMDIIX1919	100A	19	100A	19

CAT REF	MS RATING	*WAYS	RCD RATING	MCB WAYS
NMDISX1111	100A	11	80A 30mA	11
NMDISX1414	100A	14	80A 30mA	14
NMDISX1919	100A	19	80A 30mA	19

**MAIN SWITCH**

CAT REF	80A 30mA	80A 30mA	MS	*WAYS	TOTAL
	RCD WAYS	RCD WAYS	RATING		
FALNH806	-	-	100A	8	8
FALNH1206	-	-	100A	12	12
FALNH1706	-	-	100A	17	17

**SPLIT LOAD**

FALNHRS10SL	-	Flexi	100A	Flexi	10
FALNHRS15SL	-	Flexi	100A	Flexi	15

**HIGH INTEGRITY**

FALNHRS10SSL	Flexi	Flexi	100A	Flexi	10
FALNHRS13SSL	Flexi	Flexi	100A	Flexi	13
FALNHRS76206	7	6	100A	2	15

**DUAL SPLIT LOAD RCD**

FALNHSS10SL	Flexi	Flexi	100A	-	10
FALNHSS15SL	Flexi	Flexi	100A	-	15
FALNHSS4606	4	6	100A	-	10
FALNHSS5506	5	5	100A	-	10
FALNHSS8706	8	7	100A	-	15

**RCD INCOMER**

CAT REF	100A 30mA		TOTAL
	RCD WAYS		
FALNHRS706	7		7
FALNHRS1106	11		11

\* RCBOs or MCBs may be fitted depending upon the installation requirements.  
For use in full metal meter cabinets (non combustible).







NM15DSMPVF

### MAIN SWITCH DUAL SUPPLY PV CONSUMER UNIT WITH MID CERTIFIED GENERATION METER

CAT REF.	DESCRIPTION
NM15DSMPVF	15 Way unit with dual supply isolators & 16A SP MCB
NM10DSMPVF	10 Way unit with dual supply isolators & 16A SP MCB
NM14DSRCBMPVF	14 Way unit with dual supply isolators & 16A DP RCBO
NM9DSRCBMPVF	9 Way unit with dual supply isolators & 16A DP RCBO



NM11DSMPVHI

### HIGH INTEGRITY DUAL SUPPLY PV CONSUMER UNIT WITH MID CERTIFIED GENERATION METER

CAT REF.	DESCRIPTION
NM11DSMPVHI	11 Way unit with dual supply isolators & 16A SP MCB
NM10DSRCBMPVHI	10 Way unit with dual supply isolators & 16A DP RCBO

### HIGH INTEGRITY DUAL SUPPLY PV CONSUMER UNIT

NM12DSPVHI	12 Way unit with dual supply isolators & 16A SP MCB
NM11DSRCBPVHI	11 Way unit with dual supply isolators & 16A DP RCBO

Double Pole MCB options available on request



NM13DSMPVSL

### SPLIT LOAD DUAL SUPPLY PV CONSUMER UNIT WITH MID CERTIFIED GENERATION METER

CAT REF.	DESCRIPTION
NM13DSMPVSL	13 Way unit with dual supply isolators & 16A SP MCB
NM8DSMPVSL	8 Way unit with dual supply isolators & 16A SP MCB
NM12DSRCBMPVSL	12 Way unit with dual supply isolators & 16A DP RCBO
NM7DSRCBMPVSL	7 Way unit with dual supply isolators & 16A DP RCBO

### DUAL RCD DUAL SUPPLY PV CONSUMER UNIT WITH MID CERTIFIED GENERATION METER

CAT REF.	DESCRIPTION
NM11DSMPVDR	11 Way unit with dual supply isolators & 16A SP MCB
NM6DSMPVDR	6 Way unit with dual supply isolators & 16A SP MCB
NM10DSRCBMPVDR	10 Way unit with dual supply isolators & 16A DP RCBO
NM5DSRCBMPVDR	5 Way unit with dual supply isolators & 16A DP RCBO

Double Pole MCB options available on request

### PV CONSUMER UNIT

Insulated metered consumer unit supplied with either Main Switch and 16A SP MCB or 16A RCBO with optional MID meter.

- 63A 320V AC DP Isolator
- 16A B Curve SP MCB
- 40A direct read MID Meter.
- Ready assembled consumer unit complete with MID Certified meter
- Combined unit simplifies and speeds up installation
- Complete with Isolator & MCB
- Easy read permanently displayed kWh reading
- Option available with RCBO or MCB

CAT REF.	DESCRIPTION
NMRCBO16BMPV	With DP 16A RCBO (with meter)
NMB16MPV	With SP 16A MCB (with meter)
NMRCBO16BPV	With DP 16A RCBO (no meter)
NMB16PV	With SP 16A MCB (no meter)

**PV supplies should be connected to a dedicated circuit at the consumer unit (not share a final sub circuit)**

**PV supplies should be connected to the supply side of the MCB at the consumer unit (not reverse fed)**

**PV Meters must comply with MID2004/22/EC B&D or B&F**

**Note: Surge Protection devices and Type B RCDs are available on request**



NMB16MPV



NHXB06 NHXB16 NHXB32 NHXB50  
NHXB10 NHXB20 NHXB40



NHXSBS1B06 NHXSBS1B16 NHXSBS1B32 NHXSBS1B50  
NHXSBS1B10 NHXSBS1B20 NHXSBS1B40



MESB-40NO



NMMB

NHB1PP

**MINIATURE CIRCUIT BREAKERS (6KA)**

B CURVE	C CURVE	RATING	POLES	MODULES
NHXB06	NHXC06	6A	1	1
NHXB10	NHXC10	10A	1	1
NHXB16	NHXC16	16A	1	1
NHXB20	NHXC20	20A	1	1
NHXB25	-	25A	1	1
NHXB32	NHXC32	32A	1	1
NHXB40	NHXC40	40A	1	1
NHXB50	NHXC50	50A	1	1

**ACCESSORIES**

MCBLDX	MCB Locking device
WPL	Padlock for MCBLDX

**NSBS RCBO (combined MCB/RCD device)**

B CURVE	C CURVE	CURRENT RATING	RCD RATING	POLES	MODULES
NHXSBS1B06	NHXSBS1C06	6A	30mA	1	1
NHXSBS1B10	NHXSBS1C10	10A	30mA	1	1
NHXSBS1B16	NHXSBS1C16	16A	30mA	1	1
NHXSBS1B20	NHXSBS1C20	20A	30mA	1	1
NHXSBS1B32	NHXSBS1C32	32A	30mA	1	1
NHXSBS1B40	NHXSBS1C40	40A	30mA	1	1
NHXSBS1B50	NHXSBS1C50	50A	30mA	1	1
-	WRCBL6C2+	6A	30mA	2	2
-	WRCBL10C2+	10A	30mA	2	2
-	WRCBL16C2+	16A	30mA	2	2
-	WRCBL20C2+	20A	30mA	2	2
-	WRCBL32C2+	32A	30mA	2	2
-	WRCBL40C2+	40A	30mA	2	2

+ Suitable for flexible comb busbar consumer units only

**DIN RAIL MODULAR DEVICES FOR USE IN + UNITS & FLEXIBLE UNITS**

CAT REF	PRODUCT	MODULE
ME242/230	Staircase timer	1
SMSCD11	Digital time clock 1 channel 1xNO/NC contact 16A	1
TMSCD21	Digital time clock 1 channel 1xNO contact 16A	2
TMTCD22	Digital time clock 2 channel 24 hour 7Day prog	2
MESB-20NO	20A 2 pole contactor	1
MESB-24NO	24A 4 pole contactor	2
MESB-40NO	40A 4 pole contactor	3
MESB-63NO	63A 4 pole contactor	3
MTS8	Bell transformer 12V 8VA	2
TRMSCT31	Disc type time clock 1 channel 1xNC contact 16A	3
TRMSCT11	Disc type time clock 1 channel 1xNC contact 16A	3
SMSC11	Disc type time clock 1 channel 1xNO contact 16A	1

When fitting in NH Consumer Units contact Wylex technical services department

**NH ACCESSORIES**

CAT REF	PRODUCT	MODULE
NMMB	Metal blanking plate - Twist fit	1
NHB1PP	Blanking plate - Busbar & cover (insulated 960°C)	1
NHET25	25mm Earth Terminal	-
WPL	Padlock for NHLDK & MCBLDX	
NH13CBKIT	13 pin comb busbar c/w labels and 5 protection covers	



### FLUSH MOUNTING KITS FOR NM

CAT REF	PRODUCT
NM07FLA	7 module flush kit assembly
NM10FLA	10 module flush kit assembly
NM13FLA	13 module flush kit assembly
NM16FLA	16 module flush kit assembly
NM21FLA	21 module flush kit assembly

For use on upgrading NM metal units only



### ACCESSORIES

CAT REF	PRODUCT
EIU	Moulded cable gland kit for metal consumer unit to provide additional support and supplementary insulation similar to Class II construction for the incoming cables. Suitable for 16mm <sup>2</sup> or 25mm <sup>2</sup> cable 32mm knockout



### NH UPGRADE / REPLACEMENT COVERS TO NM

CAT REF	PRODUCT
NH7/MCLA255G	7 module cover assembly
NH10/MCLA255G	10 module cover assembly
NH13/MCLA255G	13 module cover assembly
NH16/MCLA255G	16 module cover assembly
NH21/MCLA255G	21 module cover assembly

For use on upgrading existing NH metal units only (replacing cover, plastic visor and hinges).



# CUSTOM BUILT

To meet the ever changing requirements and designs of the modern electrical installation, Wylex offers a service to the electrical installer for all the catalogued NM range of products - Consumer Units, and Distribution Boards to be modified and assembled to their own particular specification and meeting specific customer needs.

The levels of adaptation may vary from the basic pre-population and assembly of outgoing protective devices MCBs, RCBOs into the units with personalised labelling, to

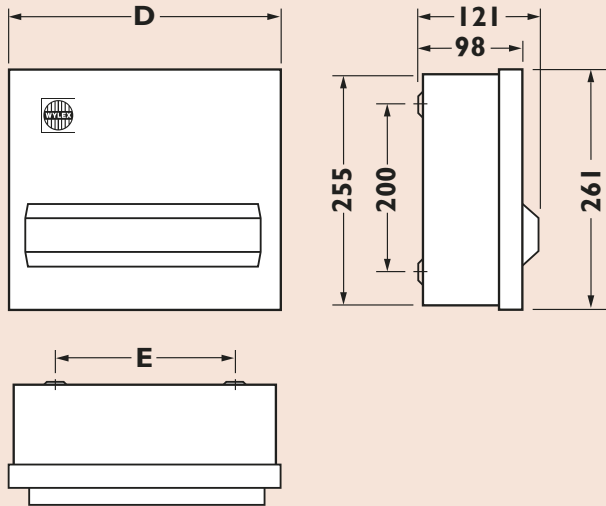
the complete customisation and wiring of additional accessory devices within a unit:- for example meters, energy monitors, control switching equipment:- contactors, relays and timers, and over voltage surge protection devices plus almost any other DIN rail mounted piece of electrical accessory equipment that is available.

This Custom Built service can save time on site, reduce labour costs, and help achieve early completion & ultimately save money for the installer of these units.



Custom built metal consumer unit with circuit protection and control devices fitted





DIMENSIONS  
185(H) 130(W) 104(D)  
**4 MODULE**

NM206/40	NMRS206/40
NM206/63	NMRS206/63

DIMENSIONS  
D=188mm(7.4"), E=138mm(4.2")  
**7 MODULE**

NM506	NMRS506
NMTM506	NMRM506
NM7ED6	

DIMENSIONS  
D=241mm(9.5"), E=160mm(6.3")  
**10 MODULE**

NMRM806	NM806
NM10ED6	NMRS806
NMRS2406	NMSTM2406
NMRS3306	NMSTM3306
NMRS4206	NMTM806
NMRS6SLM	

DIMENSIONS  
D=292mm(11.5"), E=210mm(8.3")  
**13 MODULE**

NMRM1106	NMRS806+3	NMRS23206
NMSTM3606	NMRS1106	NMRS75SSLMHI
NM1106	NMRS806+3	
NMRS4506	NMRS5406	
NMSTM5406	NM13ED6	
NM806+3	NMSTM4506	
NMRS5406	NMRS6306	
NMRS9SLM	NMTM1106	
NMIIX2406	NMIIX3306	

DIMENSIONS  
D=343mm(13.5"), E=260.4mm(10.2")  
**16 MODULE**

NM1406	NMSTM6606	NMISS10SLM
NMRS1106+3	NMRS3906	NMRS44206
NMRS4806	NMSTM7506	NMRS43306
NMRS1406	NMRM806+6	NMRS33406
NMRM1106+3	NMTM1406	
NMRS6606	NMRS12SLM	NMRS10SSLMHI
NM16ED6		
NMRM1406	NM1106+3	
NM806+6	NMSTM8406	
NMRS7506	NMISS5506	

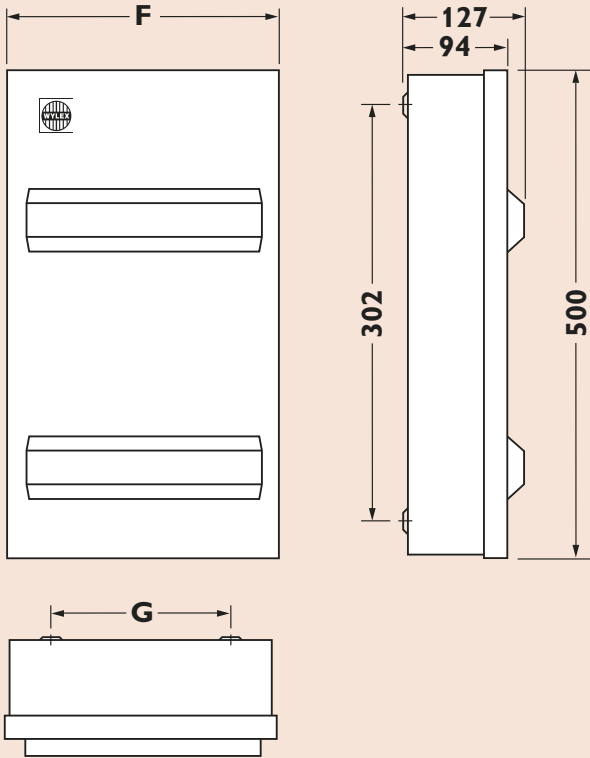
DIMENSIONS  
D=438mm(17.2"), E=356mm(10.1")  
**21 MODULE**

NM1906	NMRS1906	NMISS8706
NMRS61106	NMRS8906	NMISS15SLM
NMRS9806	NMSTM71006	NMRS76206
NMRS17SLM	NMSTM9806	NMRS66306
NMSTM9806	NMRS5606+6	NMRS46506
NM21ED6	NMTM1906	NMRS55506
NMSTM8906	NMIIX51206	NMRS45606
	NMIIX11606	NMRS15SSLMHI

DUPLEX METAL

12

Technical Data and Dimensions



DIMENSIONS

F=241mm (9.5"), G=160mm (6.3")

**10 MODULE**

NMDIS88	NMDRS12HI
NMDIIX88	NMDRS14SSLHI
NMDISX88	

DIMENSIONS

F=292mm (11.5"), G=210mm (8.3")

**13 MODULE**

NMDIS1111	NMDRS18HI
NMDIIX1111	NMDRS20SSLHI
NMDISX1111	NMDISS119

DIMENSIONS

F=343mm (13.5"), G=260mm (10.2")

**16 MODULE**

NMDIS1414	NMDRS24HI
NMDIIX1414	NMDRS26SSLHI
NMDISX1414	NMDISS1214

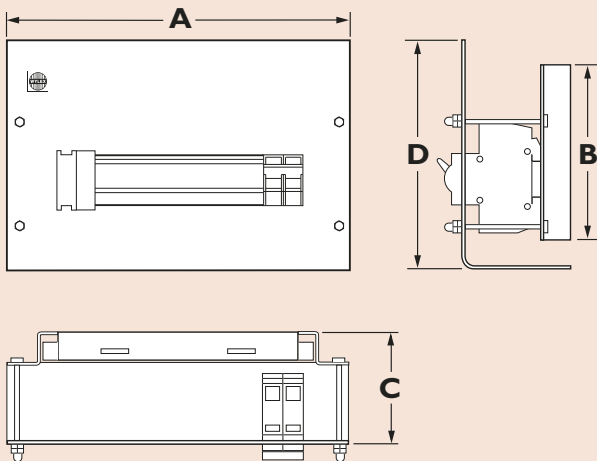
DIMENSIONS

F=430mm (17.2"), G=235mm (10.1")

**21 MODULE**

NMDIS1919	NMDRS34HI
NMDIIX1919	NMDRS36SSLHI
NMDISX1919	

SKELETON



DIMENSIONS

A=333mm (13.2"), B=165mm (6.5"), C=90mm (3.5") D=230mm (9")

FALNHRS8SSL	FALNHISS5506
FALNHISS4606	FALNHISS10SL
FALNHRS10SL	FALNH806

DIMENSIONS

A=444mm (17.5"), B=165mm (6.5"), C=90mm (3.5")

D=230mm (9")

FALNHRS13SSL	FALNHISS8706	
FALNHISS15SL	FALNHRS46506	
FALNHRS55506	FALNHRS66306	
FALNHRS76206	FALNHRS15SL	FALN1206
FALNH1706		





Acknowledged as the market leader in the UK domestic circuit protection market Wylex offers designers & specifiers a wide range of quality products that caters for a vast array of applications including domestic (household) premises.

Wylex factories operate a series of internationally recognized standards including ISO9001 for quality, OHSAS 18001 for Health & Safety and ISO14001 for Environmental Management. UK locations are home to the product management, engineering, design, quality & logistics teams.



In the UK Wylex has its UKAS accredited Laboratory that carries out R&D and compliance testing on all Wylex products, these highly accredited facilities ensure that safety, quality & reliability remain consistent with UK & EU legislation regulations & Siemens internal standards, policies and practices.

Wylex products are all designed manufactured and tested in accordance with the recognised BS, EN & ICC product standards, and backed by standard & extended guarantees.

Wylex also operates to recognised standards for product safety & sustainability, Wylex products are **ROHS** and **REACH** compliant often in excess of the UK market standards



Recycled materials are used in product packaging, and declared into a recycling scheme locally to control environmental impacts and assure that the maximum level of recycling of materials and use of recycled materials is achieved.

As a Siemens company Wylex also operates a zero harm scheme within all of its manufacturing logistics & sales facilities, and is proud to have achieved a 5 star Health & Safety rating.





**Electrium**



**ELECTRIUM SALES LIMITED A SIEMENS COMPANY**

Commercial Centre, Lakeside Plaza, Walkmill Lane, Bridgtown, Cannock WS11 0XE.

eMail: [info@electrium.co.uk](mailto:info@electrium.co.uk) Web: [www.electrium.co.uk](http://www.electrium.co.uk)

**UK SALES**

Telephone: 01543 455020 Facsimile: 01543 455021 eMail: [wylex.sales@electrium.co.uk](mailto:wylex.sales@electrium.co.uk)

**TECHNICAL**

Telephone: 01543 438320 Facsimile: 01543 438321 eMail: [wylex.technical@electrium.co.uk](mailto:wylex.technical@electrium.co.uk)

**EXPORT SALES**

Telephone: +44 1543 455049 Facsimile: +44 1543 455048 eMail: [export@electrium.co.uk](mailto:export@electrium.co.uk)

Although every effort has been made to ensure accuracy in the compilation of the technical detail within this publication, specifications and performance data are constantly changing. Latest details can be obtained from Wylex.

Publication No. WY2202 10/14

Printed in England.