

Everdri Positive Input Ventilation Units

Models: XEL & XELH

Product Type	Positive Input Ventilation
Model Number	XEL / XELH
Model Range	Everdri
Part Number	110015 / 110022
Barcodes	5011139110015 / 5011139110022
Country of Origin	Ireland
Guarantee Period	5 years motor 2 years other parts



Product Description

Xpelair Everdri is a wholehouse ventilation control system for houses with a loft space. The unit gently ventilates the home from a central position on the landing or in the central hallway in a bungalow to transform a stagnant and stale atmosphere into a fresh, healthy and condensation free environment.

Product Features

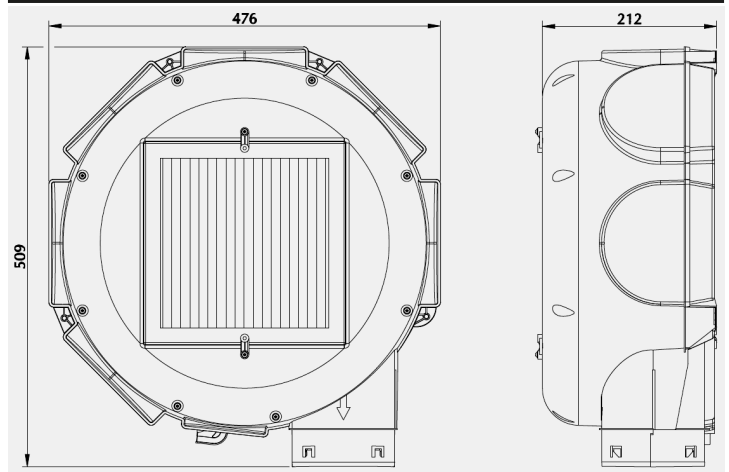
- Positive Input Ventilation (PIV) reduces surface condensation and eliminates mould, improving overall air quality
- Significantly reduces Radon levels by gently supplying fresh, filtered air into the property and forcing the Radon contaminated air out of the home
- Redistributes accumulated warmer air from ceiling level, which can be 7°C higher than ground level, to help reduce heating costs
- 3 speed low watt EC motor for reduced power consumption and lower running costs
- Low maintenance easy to replace long-lasting G4 filter
- Integral datalogger to check the running hours in operation
- XELH model has a pre-heater to temper the incoming air
- Manufacturer's 5 year UK guarantee on the fan motor and 2 years on other parts

Part No.	Model No.	Description
111067	XEL3SK	Intumescent sealing diffuser for 3 story dwellings
EAN/Bar Code:		5011139111067

Technical Details

Model / Part No.	XEL / 110015	XELH / 110022
No. of Speeds	3	3
Fan Power (W)	5.2 / 8.7 / 15.5	5.2 / 8.7 / 15.5
Duct Size (mm)	125 / 150	125 / 150
Air flow rate (l/s)	30 / 45 / 60	30 / 45 / 60
Flow rate (m³/h)	108 / 162 / 216	108 / 162 / 216
Sound Pressure dB(A)_{3m} from diffuser	13.5 / 14 / 35.4	13.5 / 14 / 35.4
Specific Fan Power SFP (W/L/s)	0.17 / 0.19 / 0.26	0.17 / 0.19 / 0.26
IPX Rating	IPX2	IPX2
Motor Type	EC	
Spigot Diameter (mm)	125	125
Product Dimensions H x W x D (mm)	212 x 476 x 509	212 x 476 x 509
Product Weight (kg) without accessories	3.5	3.5
Packed Dimensions H x W x D (mm)	360 x 490 x 575	360 x 490 x 575
Packed Weight (kg) with accessories	5.9	7.5
Colour / Material	Grey and white / ABS	
Approvals	CE	

Dimensions



CONTENTS: Everdri PIV unit with 125mmØ solid ducting, 125/150mm duct adaptor, 1m of 150mmØ diameter flexible ducting with Jubilee clips and a 200mm air supply diffuser with mounting ring and 150/200mm duct adaptor. A two speed manual override switch is included on both models and a fully controllable inline duct heater (1.2kW-150mmØ) with XELH model only.